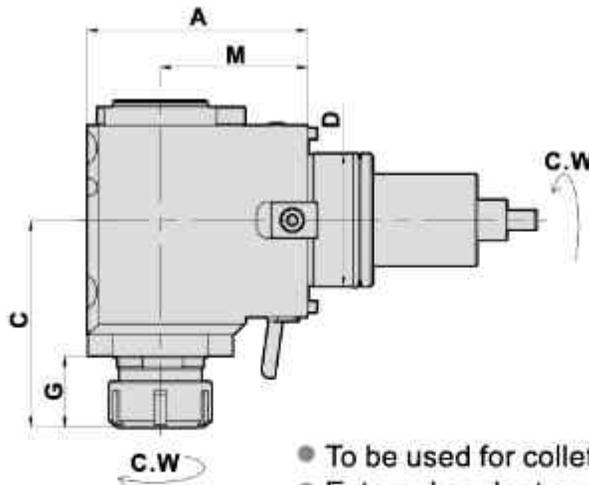


RADIAL MILLING AND DRILLING HEAD

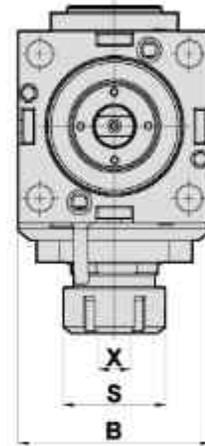
TYPE

KOREA SERIES BMT

徑向鑽銑刀座 (90°)



- To be used for collet DIN 6499
- External coolant supply
- Collet is not included



DIMENSIONS

Models	D	X Capacity	S	Maximum R.P.M.	A	B	C	G	M	Code No.	Order No.	(Kg) Weight
BMT45	45	1-13 ER20	35	5000	95	75	79	30	65	245101-000	DW220-DF45-20-65	4.8
BMT45	45	1-16 ER25	42	5000	95	75	82	33	65	245102-000	DW220-DF45-25-65	4.9
BMT45	45	1-16 ER25	42	5000	115	75	87	33	85	245115-000	DW220-DF45-25-85	5.8
BMT45	45	1-13 ER20	35	3000	115	75	86	27	85	245116-000	*DW220-DF45-20-85-TA	5.9
BMT45	45	1-16 ER25	42	3000	115	75	86	27	85	245119-000	*DW220-DF45-25-85-TA	6
BMT55	55	1-16 ER25	42	5000	87	85	83	32	60	255101-000	DW230-DF55-25-60	5.4
BMT55	55	1-16 ER25	42	5000	97	85	83	32	70	255102-000	DW230-DF55-25-70	5.9
BMT55	55	1-16 ER25	42	5000	107	85	83	32	80	255111-000	DW230-DF55-25-80	6.4
BMT55	55	1-16 ER25	42	5000	112	85	83	32	85	255109-000	DW230-DF55-25-85	6.7
BMT55	55	1-16 ER25	42	5000	127	85	83	26	100	255116-000	DW230-DF55-25-100	7.8
BMT55	55	1-16 ER25	42	5000	137	85	83	32	110	255136-000	DW230-DF55-25-110	7.9
BMT55	55	1-16 ER25	42	5000	142	85	83	32	115	255125-000	DW230-DF55-25-115	8.2
BMT55	55	2-20 ER32	50	5000	87	85	103	51	60	255144-000	DW230-DF55-32-60	5.7
BMT55	55	2-20 ER32	50	5000	97	85	103	51	70	255146-000	DW230-DF55-32-70	6.3

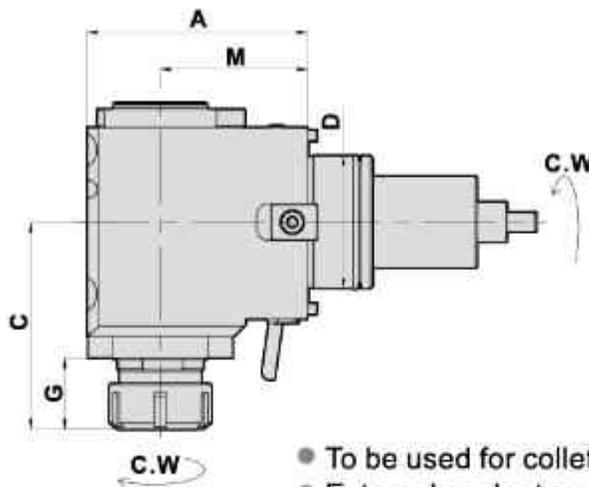
*重切削 HEAVY CUTTING

RADIAL MILLING AND DRILLING HEAD

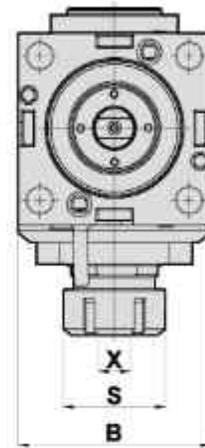
TYPE

KOREA SERIES BMT

徑向鑽銑刀座 (90°)



- To be used for collet DIN 6499
- External coolant supply
- Collet is not included



DIMENSIONS

Models	D	X Capacity	S	Maximum R.P.M.	A	B	C	G	M	Code No.	Order No.	(Kg) Weight
BMT65	65	2-20 ER32	50	5000	101	94	101	35	65	265118-000	DW300-DF65-32-65	8.1
BMT65	65	2-20 ER32	50	5000	108	94	101	35	72	265101-000	DW300-DF65-32-72	8.5
BMT65	65	2-20 ER32	50	5000	121	94	101	35	85	265102-000	DW300-DF65-32-85	9.2
BMT65	65	2-20 ER32	50	5000	137	94	101	35	100	265105-000	DW300-DF65-32-100	10.3
BMT65	65	2-20 ER32	50	5000	152	94	101	35	115	265117-000	DW300-DF65-32-115	11.2
BMT65	65	2-20 ER32	50	5000	157	94	101	35	120	265124-000	DW300-DF65-32-120	11.5
BMT75	75	3-26 ER40	63	5000	105	112	112	45	60	275102-000	DW350-DF75-40-60	12
BMT75	75	3-26 ER40	63	5000	115	112	112	45	70	275101-000	DW350-DF75-40-70	13.3
BMT75	75	3-26 ER40	63	5000	135	112	112	45	90	275107-000	DW350-DF75-40-90	15
BMT75	75	3-26 ER40	63	5000	155	112	112	45	110	275130-000	DW350-DF75-40-110	17
BMT75	75	3-26 ER40	63	5000	170	112	112	45	125	275108-000	DW350-DF75-40-125	18
BMT85	85	10-34 ER50	78	5000	136	125	138	56	85	285103-000	DW700-DF85-50-85	20.6
BMT85	85	3-26 ER40	63	5000	161	125	133	38	110	285120-000	DW700-DF85-40-110	24
BMT85	85	10-34 ER50	78	5000	161	125	138	56	110	285101-000	DW700-DF85-50-110	24

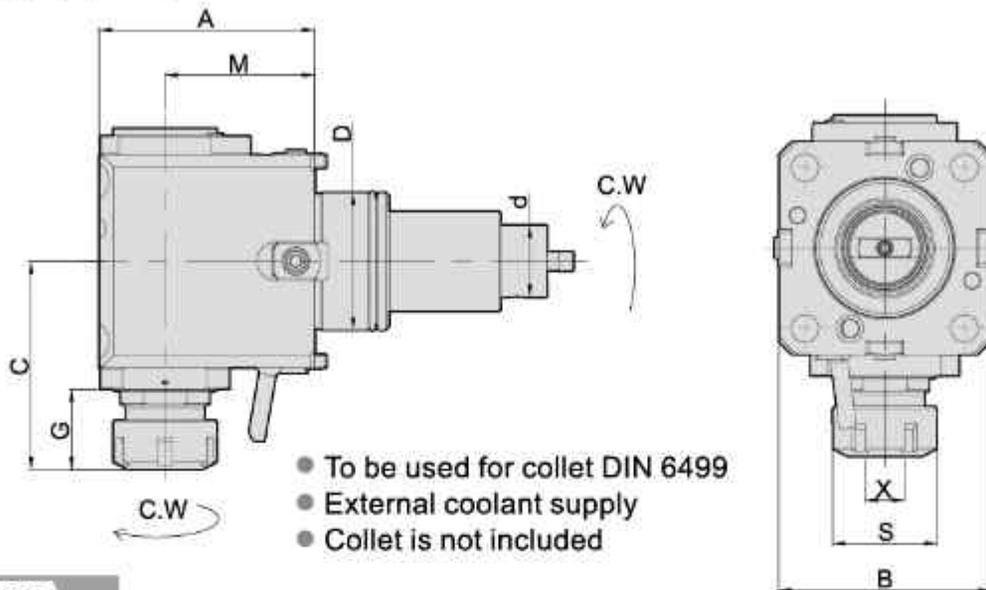
*重切削 HEAVY CUTTING

RADIAL MILLING AND DRILLING HEAD

TYPE

KOREA SERIES BMT

徑向鑽銑刀座 (90°)



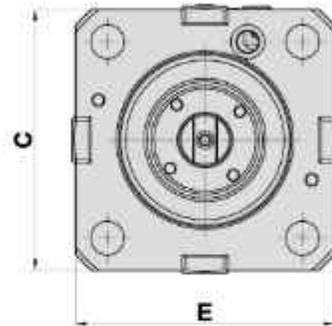
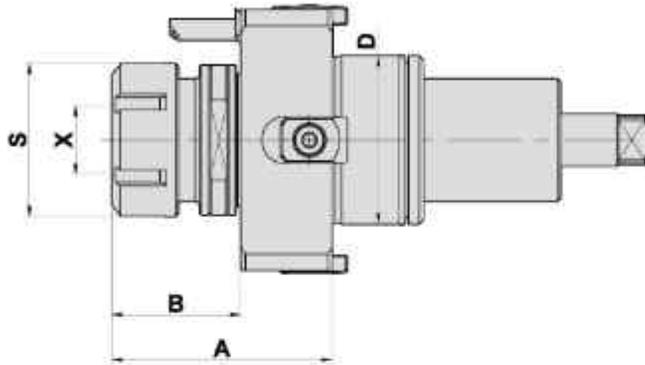
DIMENSIONS

Models	D	X Capacity	S	Maximum R.P.M.	A	B	C	G	M	d	Code No.	Order No.	(Kg) Weight
BMT55	55	1-16 ER25	42	5000	87	85	83	32	60	29	255110-000	DW230-DF55-25-60-Z	5.2
BMT55	55	1-16 ER25	42	5000	97	85	83	32	70	29	255112-000	DW230-DF55-25-70-Z	5.9
BMT55	55	1-16 ER25	42	5000	107	85	83	32	80	29	255163-000	DW230-DF55-25-80-Z	6.7
BMT55	55	1-16 ER25	42	5000	112	85	83	32	85	29	255166-000	DW230-DF55-25-85-Z	6.9
BMT55	55	1-16 ER25	42	5000	127	85	83	32	100	29	255139-000	DW230-DF55-25-100-Z	7.8
BMT55	55	1-16 ER25	42	5000	137	85	83	32	110	29	255174-000	DW230-DF55-25-110-Z	8.3
BMT65	65	2-20 ER32	50	5000	108	94	101	35	72	29	265126-000	DW300-DF65-32-72-Z	9.1
BMT65	65	2-20 ER32	50	5000	121	94	101	35	85	29	265136-000	DW300-DF65-32-85-Z	9.7
BMT65	65	2-20 ER32	50	5000	137	94	101	35	100	29	265131-000	DW300-DF65-32-100-Z	10.3
BMT65	65	2-20 ER32	50	5000	157	94	101	35	120	29	265159-000	DW300-DF65-32-120-Z	12
BMT75	75	3-26 ER40	63	5000	105	112	112	46	60	35	275139-000	DW350-DF75-40-60-Z	12.6
BMT75	75	3-26 ER40	63	5000	115	112	112	45	70	35	275125-000	DW350-DF75-40-70-Z	13.5
BMT75	75	3-26 ER40	63	5000	135	112	112	45	90	35	275127-000	DW350-DF75-40-90-Z	15.8
BMT85	85	10-34 ER50	78	5000	136	125	138	56	85	40	285114-000	DW700-DF85-50-85-Z	21.6
BMT85	85	10-34 ER50	78	5000	161	125	138	56	110	40	285117-000	DW700-DF85-50-110-Z	24.2

AXIAL MILLING AND DRILLING HEAD

TYPE KOREA SERIES BMT

軸向鑽銑刀座 (0°)



- To be used for collet DIN 6499
- External coolant supply
- Collet is not included

DIMENSIONS

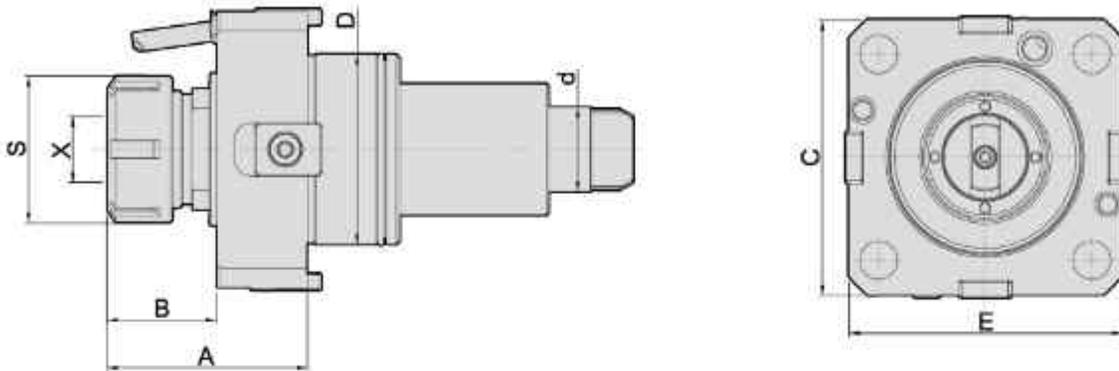
Models	D	X Capacity	S	Maximum R.P.M.	A	B	C	E	Code No.	Order No.	(Kg) Weight
BMT45	45	1-13 ER20	35	6000	60	32.5	75	75	145101-000	DW220-DA45-20	1.8
BMT45	45	1-16 ER25	42	6000	67.5	40	75	75	145108-000	DW220-DA45-25	1.9
BMT45	45	1-13 ER20	35	6000	80	24	75	75	145113-000	* DW220-DA45-20-TA	2.7
BMT45	45	1-16 ER25	42	6000	81	25	75	75	145115-000	* DW220-DA45-25-TA	2.8
BMT55	55	1-16 ER25	42	6000	62	33	85	85	155101-000	DW230-DA55-25	2.6
BMT55	55	2-20 ER32	50	6000	81	51	85	85	155102-000	DW230-DA55-32	2.8
BMT65	65	1-16 ER25	42	6000	66.5	35.5	94	94	165104-000	DW300-DA65-25	3.3
BMT65	65	2-20 ER32	50	6000	68.5	38.5	94	94	165101-000	DW300-DA65-32	3.4
BMT65	65	2-20 ER32	50	6000	58	36	94	94	165102-000	DW300-DA65-32-S	2.8
BMT65	65	2-20 ER32	50	6000	120	89	94	94	165108-000	DW300-DA65-32-L	4.2
BMT65	65	2-20 ER32	50	6000	101	70	94	94	165113-000	DW300-DA65-32-100-L	3.9
BMT75	75	3-26 ER40	63	6000	78	43	115	115	175101-000	DW350-DA75-40	5.6
BMT85	85	3-26 ER40	63	6000	91	51	125	125	185104-000	DW700-DA85-40	8.5
BMT85	85	10-34 ER50	78	6000	94	54	125	125	185101-000	DW700-DA85-50	8.7

*重切削 HEAVY CUTTING

AXIAL MILLING AND DRILLING HEAD

TYPE KOREA SERIES BMT

軸向鑽銑刀座 (0°)



- To be used for collet DIN 6499
- External coolant supply
- Collet is not included

DIMENSIONS

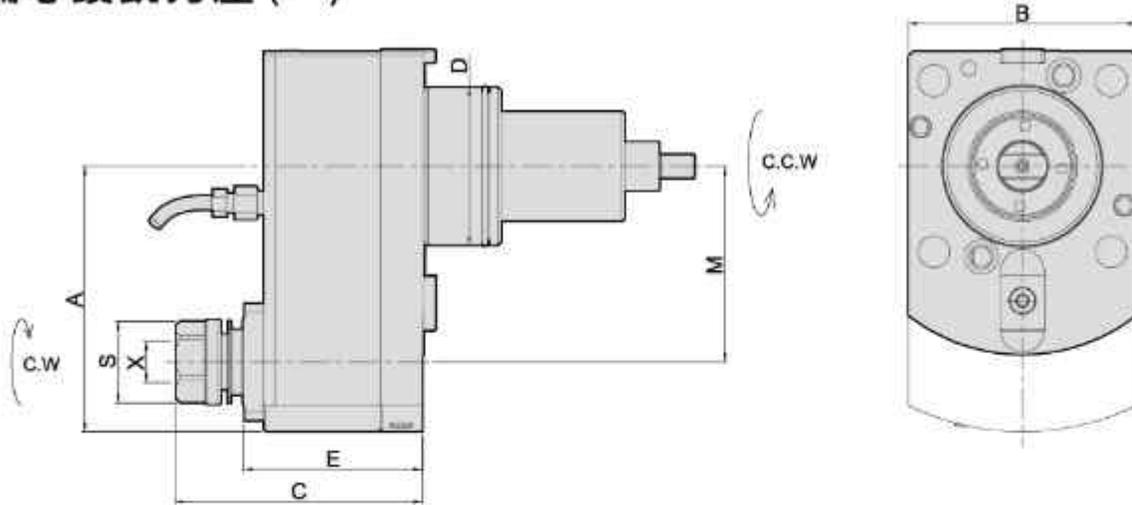
Models	D	X Capacity	S	Maximum R.P.M.	A	B	C	E	d	Code No.	Order No.	(Kg) Weight
BMT55	55	1-16 ER25	42	6000	62	32	85	85	29	155110-000	DW230-DA55-ER25-Z	2.7
BMT55	55	2-20 ER32	50	6000	81	51	85	85	29	155138-000	DW230-DA55-ER32-Z	2.9
BMT65	65	2-20 ER32	50	6000	69	38	94	94	29	165120-000	DW300-DA65-ER32-Z	3.6
BMT65	65	2-20 ER32	50	6000	101	70	94	94	29	165144-000	DW230-DA55-ER32-100L-Z	3.9
BMT75	75	3-26 ER40	63	6000	80	43	115	115	35	175104-000	DW350-DA75-ER40-Z	5.9
BMT75	75	3-26 ER40	63	6000	98	40	115	115	35	175119-000	*DW350-DA75-ER40-TA-Z	7.2
BMT85	85	10-34 ER50	78	6000	94	54	125	125	40	185116-000	DW700-DA85-ER50-Z	9

*重切削 HEAVY CUTTING

AXIAL DRILLING AND MILLING HEAD OFFSET

TYPE KOREA SERIES BMT

軸向偏心鑽銑刀座 (0°)



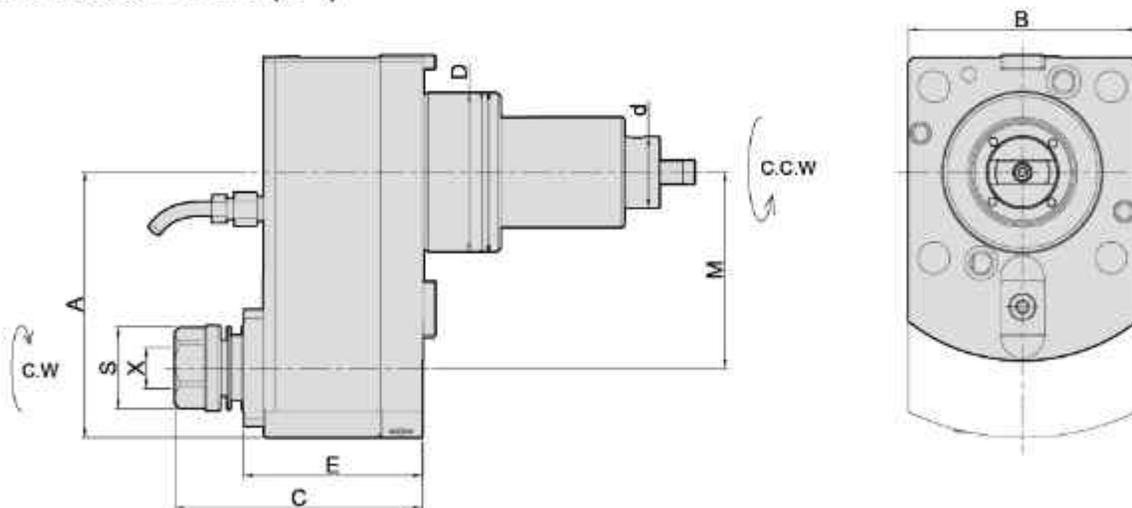
- To be used for collet DIN 6499
- External coolant supply
- Collet is not included

DIMENSIONS

Models	D	X Capacity	S	Maximum R.P.M.	A	B	C	E	M	Code No.	Order No.	(Kg) Weight
BMT55	55	1-16 ER25	42	6000	89	85	127	89	50	155104-000	DW230-DA55-25-50	6.6
BMT65	65	1-13 ER20	35	6000	109	94	103.5	74	80	165110-000	DW300-DA65-20-80	8.4

AXIAL DRILLING AND MILLING HEAD OFFSET

軸向偏心鑽銑刀座 (0°)



- To be used for collet DIN 6499
- External coolant supply
- Collet is not included

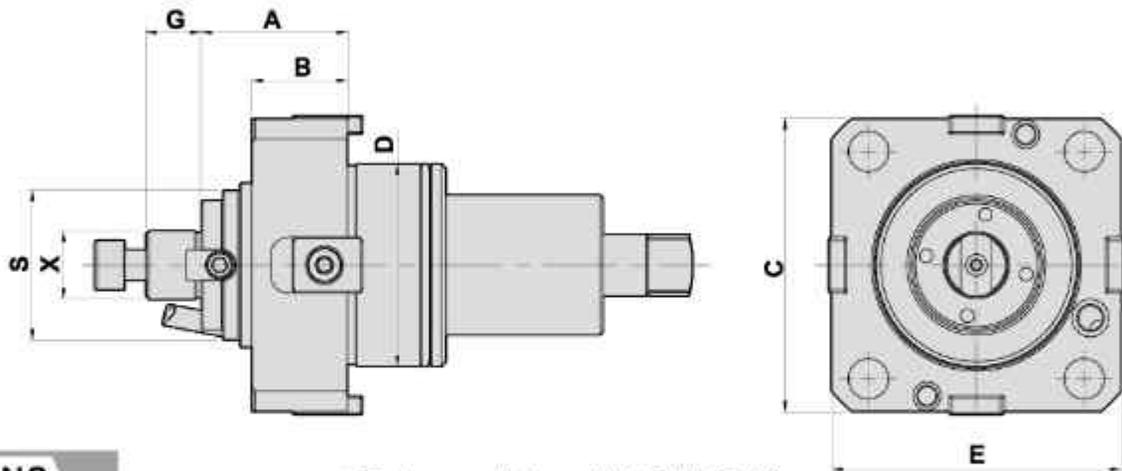
DIMENSIONS

Models	D	X Capacity	S	Maximum R.P.M.	A	B	C	E	M	d	Code No.	Order No.	(Kg) Weight
BMT55	55	1-16 ER25	42	6000	89	85	127	89	50	29	155151-000	DW230-DA55-25-50-Z	6.6
BMT65	65	1-13 ER20	35	6000	109	94	103.5	74	80	29	165143-000	DW300-DA65-20-80-Z	8.4

AXIAL MILLING AND DRILLING HEAD

TYPE KOREA SERIES BMT

軸向銑削刀座 (0°)



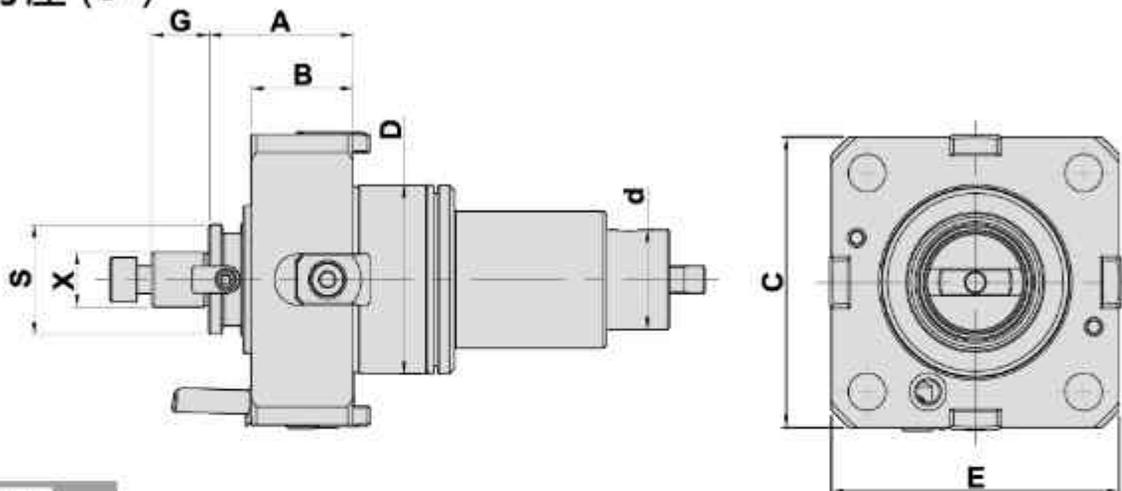
DIMENSIONS

● To be used for collet DIN 6358

Models	D	X DIN 6358	S	Maximum R.P.M.	A	B	C	E	G	Code No.	Order No.	(Kg) Weight
BMT55	55	16(mm)	32	6000	42.5	30	85	85	17	155105-000	DW230-DA55-16C	2.5
BMT55	55	22(mm)	48	6000	46	30	85	85	18	155123-000	DW230-DA55-22C	2.8
BMT65	65	22(mm)	48	6000	47.5	31	94	94	18	165105-000	DW300-DA65-22C	3.6
BMT65	65	27(mm)	60	6000	39	22	94	94	20	165106-000	DW300-DA65-27C-S	3.2
BMT75	75	27(mm)	60	6000	55	35	115	115	20	175105-000	DW350-DA75-27C	5.9
BMT85	85	32(mm)	72	6000	63	40	125	125	22	185102-000	DW700-DA85-32C	9
BMT85	85	31.75(inch)	60	6000	63	40	125	125	22	185105-000	DW700-DA85-31.75C	8.8

AXIAL MILLING AND DRILLING HEAD

軸向銑削刀座 (0°)



DIMENSIONS

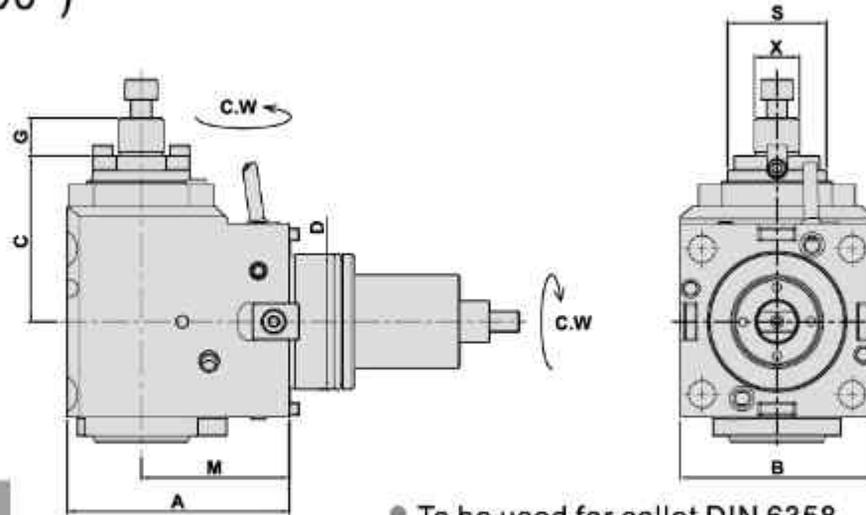
● To be used for collet DIN 6358

Models	D	X DIN 6358	S	Maximum R.P.M.	A	B	C	E	G	d	Code No.	Order No.	(Kg) Weight
BMT55	55	16(mm)	32	6000	42.5	30	85	85	17	29	155109-000	DW230-DA55-16C-Z	2.5
BMT55	55	22(mm)	48	6000	46	30	85	85	18	29	155134-000	DW230-DA55-22C-Z	2.8
BMT65	65	22(mm)	48	6000	47.5	31	94	94	18	29	165129-000	DW300-DA65-22C-Z	3.6
BMT75	75	27(mm)	60	6000	55	35	115	115	20	35	175109-000	DW350-DA75-27C-Z	5.9
BMT85	85	32(mm)	72	6000	63	40	125	125	22	40	185118-000	DW700-DA85-32C-Z	9

RADIAL DRILLING AND MILLING HEAD

TYPE KOREA SERIES BMT

徑向銑削刀座 (90°)



DIMENSIONS

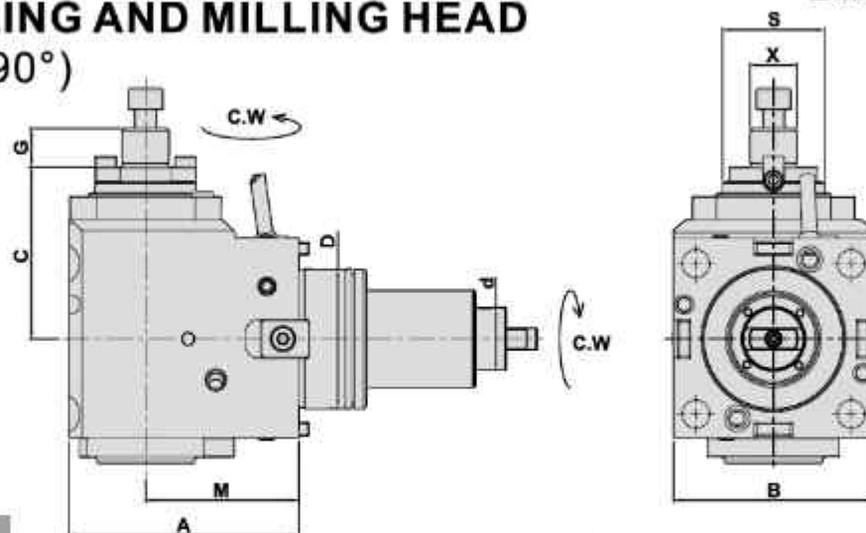
● To be used for collet DIN 6358

Models	D	X DIN 6358	S	Maximum R.P.M.	A	B	C	G	M	Code No.	Order No.	(Kg) Weight
BMT55	55	22(mm)	48	5000	87	85	67	18	60	255121-000	DW230-DF55-22C-60	5.4
BMT55	55	22(mm)	48	5000	91	85	84	18	60	255190-000	*DW230-DF55-22C-60-TA	6.8
BMT55	55	27(mm)	60	5000	91	85	86	20	60	255192-000	*DW230-DF55-27C-60-TA	6.9
BMT65	65	22(mm)	48	5000	108	94	80	18	72	265104-000	DW300-DF65-22C-72	8.9
BMT65	65	22(mm)	48	5000	121	94	80	18	85	265110-000	DW300-DF65-22C-85	9.3
BMT65	65	22(mm)	48	5000	137	94	80	18	100	265107-000	DW300-DF65-22C-100	10.4
BMT75	75	27(mm)	60	5000	105	112	88	20	60	275115-000	DW350-DF75-27C-60	12
BMT75	75	27(mm)	60	5000	115	112	88	20	70	275104-000	DW350-DF75-27C-70	12.7
BMT75	75	27(mm)	60	5000	135	112	88	20	90	275105-000	DW350-DF75-27C-90	15
BMT75	75	27(mm)	60	5000	170	112	88	20	125	275111-000	DW350-DF75-27C-125	17.8
BMT85	85	1"(inch)	50	5000	161	125	106	20	110	285105-000	DW700-DF85-25.4C-110	23.1

RADIAL DRILLING AND MILLING HEAD

徑向銑削刀座 (90°)

*重切削 HEAVY CUTTING



DIMENSIONS

● To be used for collet DIN 6358

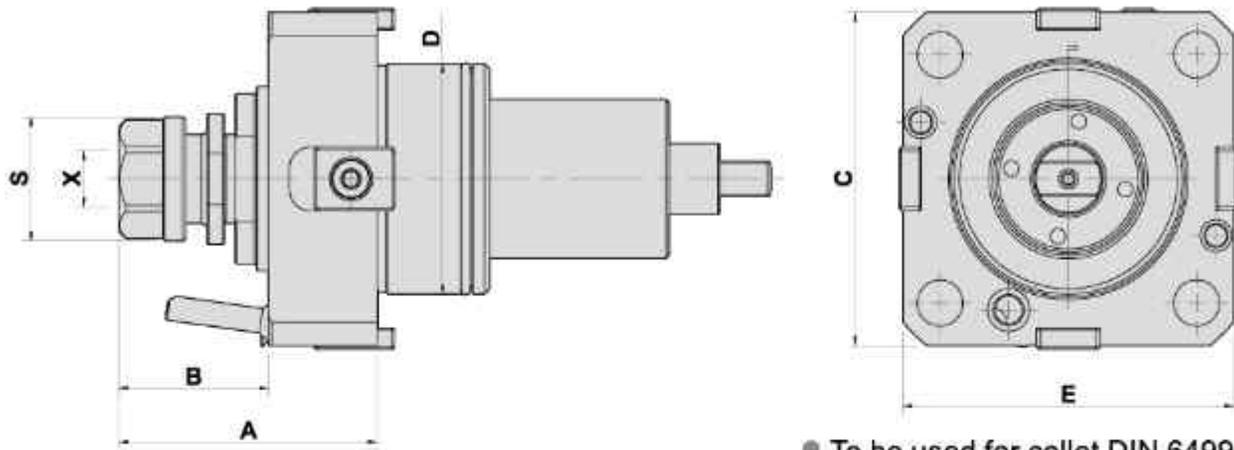
Models	D	X DIN 6358	S	Maximum R.P.M.	A	B	C	G	M	d	Code No.	Order No.	(Kg) Weight
BMT55	55	22(mm)	48	5000	91	85	84	18	60	29	255194-000	*DW230-DF55-22C-60-TA-Z	6.8
BMT65	65	22(mm)	48	5000	108	94	80	18	72	29	265152-000	DW300-DF65-22C-72-Z	8.9
BMT65	65	22(mm)	48	5000	137	94	80	18	100	29	265135-000	DW300-DF65-22C-100-Z	10.4

*重切削 HEAVY CUTTING

AXIAL TAPPING HEAD

TYPE KOREA SERIES BMT

軸向彈性攻牙刀座 (0°)



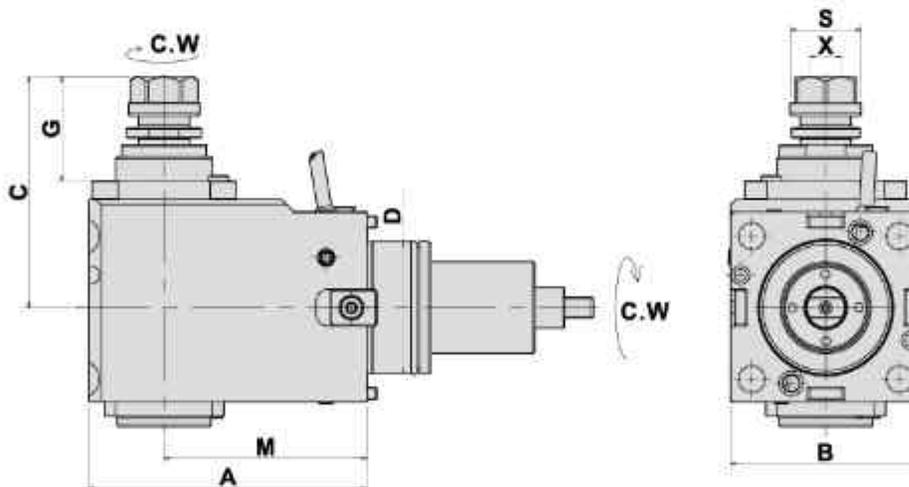
- To be used for collet DIN 6499
- External coolant supply
- Collet is not included

DIMENSIONS

Models	D	X Capacity	S	Maximum R.P.M.	A	B	C	E	Code No.	Order No.	(Kg) Weight
BMT65	65	1-13 ER20	35	4000	73.5	42.5	94	94	185103-000	DW300-TDA65-ER20	3.4

RADIAL TAPPING HEAD

徑向彈性攻牙刀座 (90°)



- To be used for collet DIN 6499
- External coolant supply
- Collet is not included

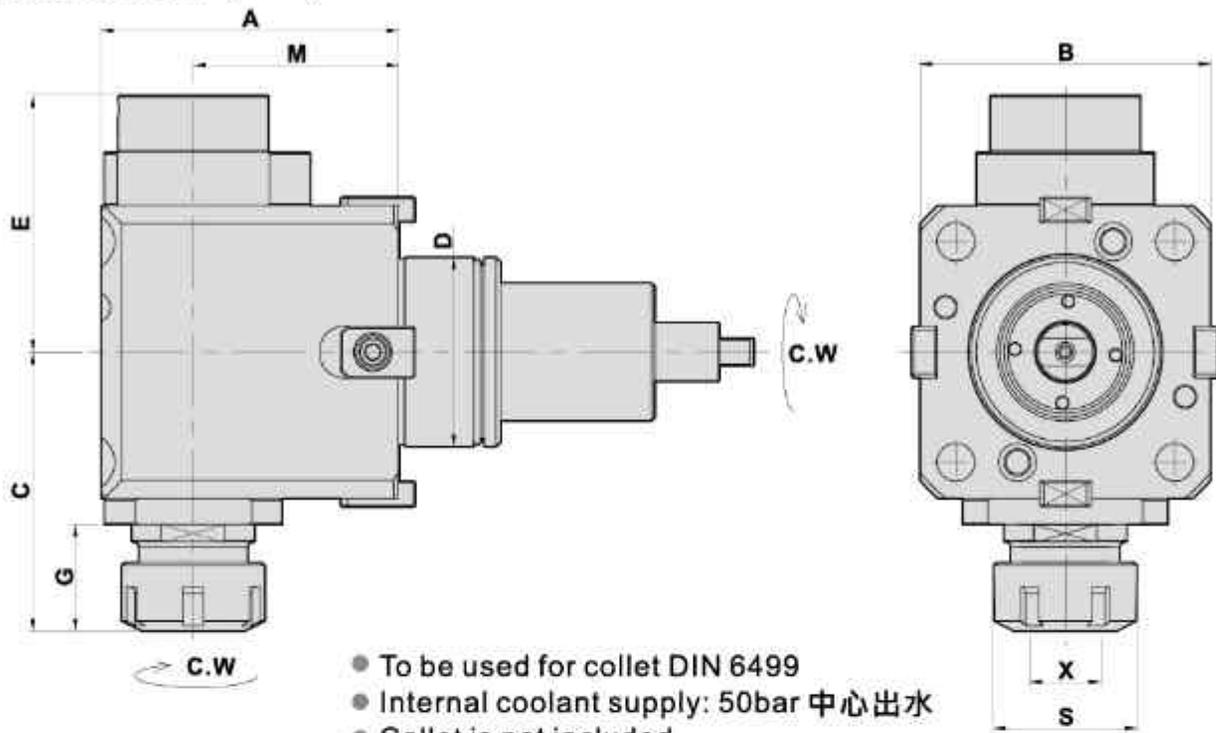
DIMENSIONS

Models	D	X Capacity	S	Maximum R.P.M.	A	B	C	G	M	Code No.	Order No.	(Kg) Weight
BMT65	65	1-13 ER20	40	3000	108	94	113	47	72	265119-000	DW300-TDF65-20-72	8.4
BMT65	65	1-13 ER20	40	3000	121	94	113	47	85	265120-000	DW300-TDF65-20-85	9.2
BMT65	65	1-13 ER20	40	3000	137	94	113	47	100	265116-000	DW300-TDF65-20-100	10.2

RADIAL MILLING AND DRILLING HEAD

TYPE KOREA SERIES BMT

徑向鑽銑刀座 (90°)



- To be used for collet DIN 6499
- Internal coolant supply: 50bar 中心出水
- Collet is not included

DIMENSIONS

Models	D	X Capacity	S	Maximum R.P.M.	A	B	C	E	G	M	Code No.	Order No.	(Kg) Weight
BMT45	45	1-13 ER 20	35	5000	95	75	79	71	30	65	245106-000	DW220-CW-DF45-20-65	5
BMT45	45	1-13 ER 20	35	5000	115	75	84	71	30	85	255126-000	DW220-CW-DF45-20-85	6.1
BMT55	55	1-16 ER 25	42	10000	87	85	89	75	30	60	255134-000	* DW230-CW-DF55-25-60I	6.1
BMT55	55	1-16 ER 25	42	5000	87	85	82	64	30	60	255154-000	DW230-CW-DF55-25-60-V2	5.8
BMT55	55	1-16 ER 25	42	5000	97	85	82	64	30	70	255101017-000	DW230-CW-DF55-25-70-V2	6.1
BMT55	55	1-16 ER 25	42	5000	107	85	83	75	32	80	255115-000	DW230-CW-DF55-25-80	6.9
BMT55	55	1-16 ER 25	42	5000	112	85	83	75	32	85	255131-000	DW230-CW-DF55-25-85	7.1
BMT55	55	1-16 ER 25	42	5000	127	85	83	75	32	85	255101001-000	DW230-CW-DF55-25-100	8
BMT55	55	1-16 ER 25	42	5000	137	85	83	75	32	85	255137-000	DW230-CW-DF55-25-110	8.2
BMT55	55	2-20 ER 32	50	5000	87	85	103	64	51	60	255156-000	DW230-CW-DF55-32-60	6.1
BMT55	55	2-20 ER 32	50	5000	97	85	103	64	51	70	255186-000	DW230-CW-DF55-32-70	6.3

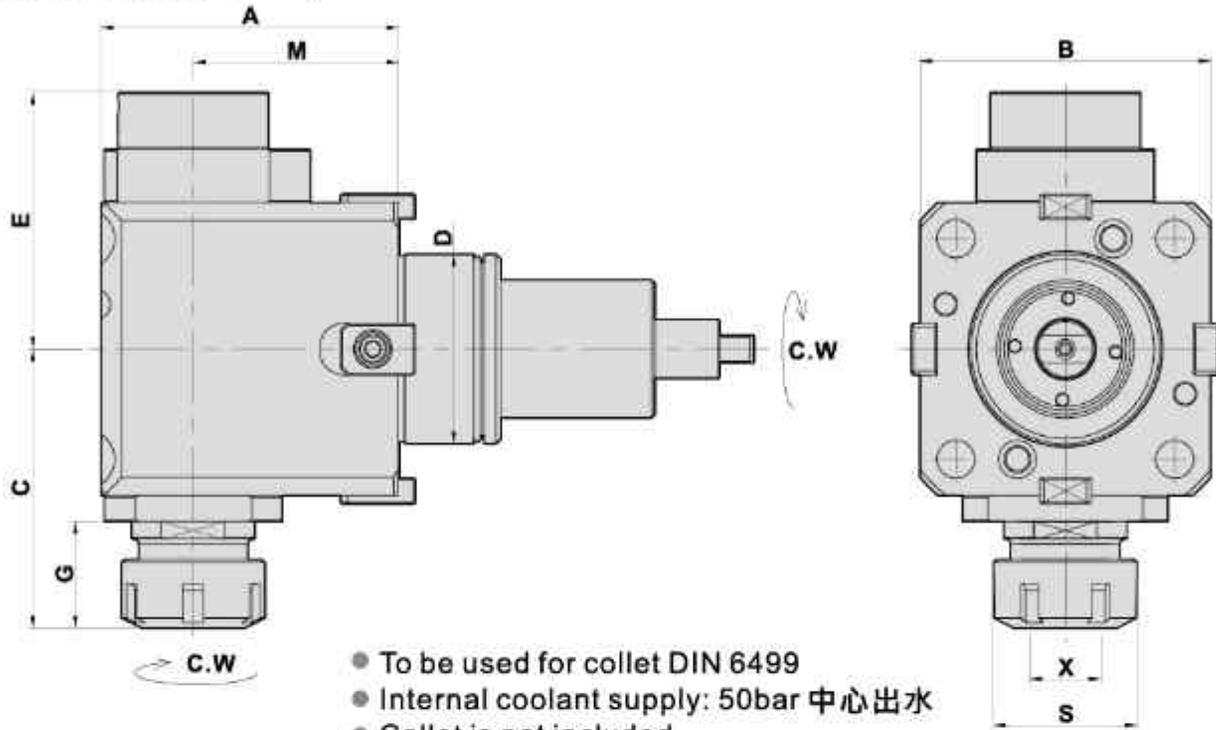
*2倍增速

RADIAL MILLING AND DRILLING HEAD

TYPE

KOREA SERIES BMT

徑向鑽銑刀座 (90°)



DIMENSIONS

Models	D	X Capacity	S	Maximum R.P.M.	A	B	C	E	G	M	Code No.	Order No.	(Kg) Weight
BMT65	65	2-20 ER 32	50	5000	101	94	101	80	35	65	265133-000	DW300-CW-DF65-32-65	8.5
BMT65	65	2-20 ER 32	50	5000	108	94	101	80	35	72	265106-000	DW300-CW-DF65-32-72	9.2
BMT65	65	2-20 ER 32	50	5000	121	94	101	80	35	85	265113-000	DW300-CW-DF65-32-85	9.8
BMT65	65	2-20 ER 32	50	5000	137	94	101	80	35	100	265111-000	DW300-CW-DF65-32-100	11
BMT65	65	2-20 ER 32	50	5000	152	94	101	80	35	115	265127-000	DW300-CW-DF65-32-115	11.5
BMT75	75	3-26 ER 40	63	5000	115	112	112	105	45	70	275106-000	DW350-CW-DF75-40-70	14
BMT75	75	3-26 ER 40	63	5000	135	112	112	105	45	90	275109-000	DW350-CW-DF75-40-90	15.8
BMT75	75	3-26 ER 40	63	5000	170	112	112	105	45	125	275110-000	DW350-CW-DF75-40-125	19
BMT85	85	10-34 ER 50	78	5000	136	125	138	97	56	85	285110-000	DW700-CW-DF85-50-85	21.6
BMT85	85	3-26 ER 40	63	5000	161	125	135	97	47	110	285119-000	DW700-CW-DF85-40-110	23.9
BMT85	85	10-34 ER 50	78	5000	161	125	138	97	56	110	285106-000	DW700-CW-DF85-50-110	23.6

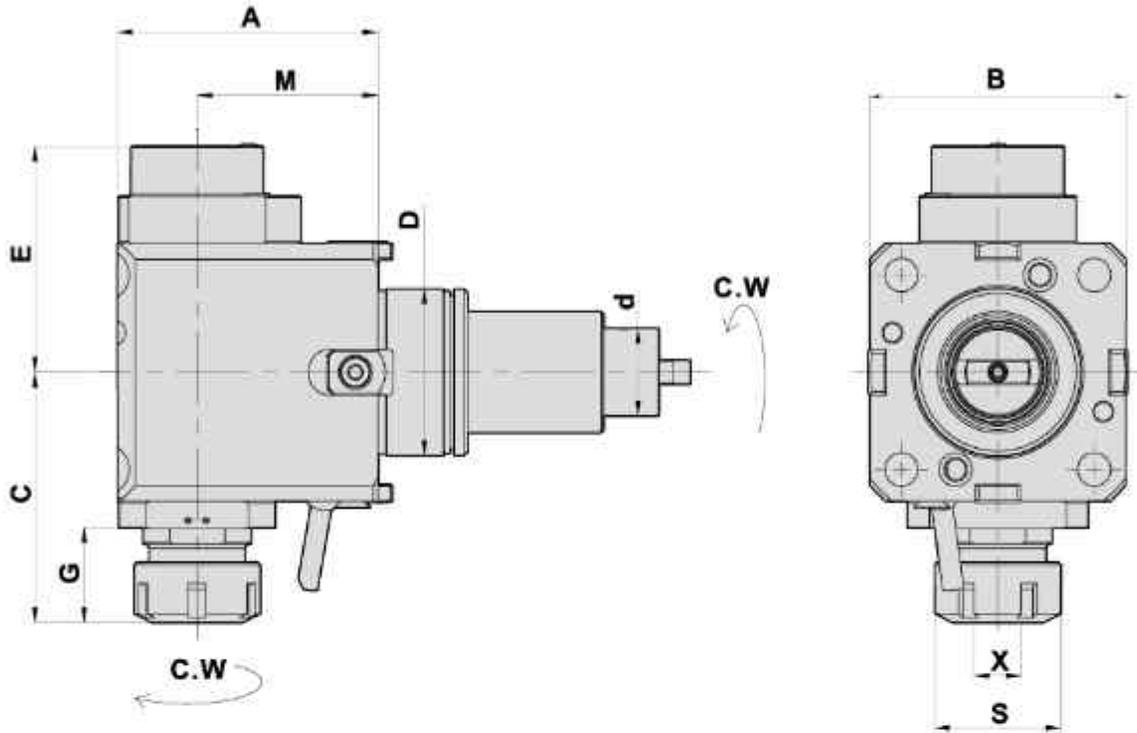
*2倍增速

RADIAL MILLING AND DRILLING HEAD

TYPE

KOREA SERIES BMT

徑向鑽銑刀座 (90°)



- To be used for collet DIN 6499
- Internal coolant supply: 50bar 中心出水
- Collet is not included

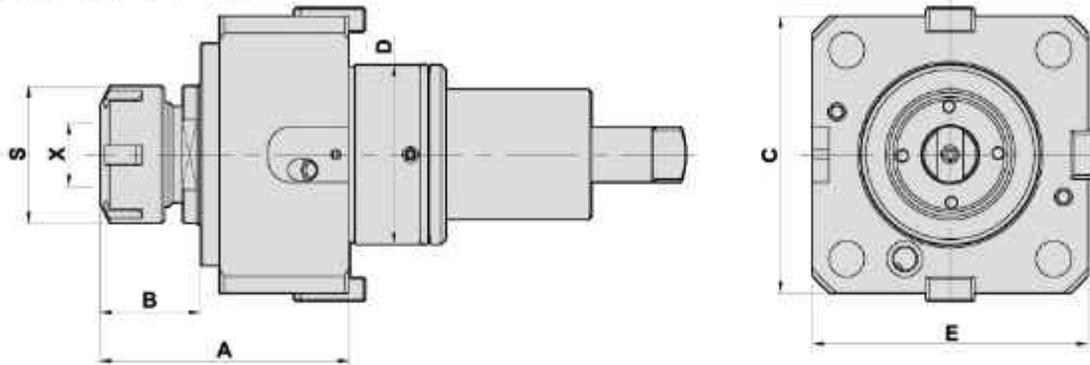
DIMENSIONS

Models	D	X Capacity	S	Maximum R.P.M.	A	B	C	E	G	M	d	Code No.	Order No.	(Kg) Weight
BMT55	55	1-16 ER25	42	5000	87	85	83	75	32	60	29	255117-000	DW230-CW-DF55-25-60-Z	5.6
BMT55	55	1-16 ER25	42	5000	87	85	82	64	30	60	29	255168-000	DW230-CW-DF55-25-60-V2-Z	5.8
BMT55	55	1-16 ER25	42	5000	97	85	83	75	32	70	29	255119-000	DW230-CW-DF55-25-70-Z	6.3
BMT55	55	1-16 ER25	42	5000	97	85	82	64	30	70	29	255169-000	DW230-CW-DF55-25-70-V2-Z	6.5
BMT55	55	1-16 ER25	42	5000	112	85	83	75	31	85	29	255189-000	DW230-CW-DF55-25-85-Z	7.2
BMT55	55	1-16 ER25	42	5000	127	85	83	75	31	100	29	255101002-000	DW230-CW-DF55-25-100-Z	8.2
BMT65	65	2-20 ER32	50	5000	121	94	102	80	30	85	29	265138-000	DW300-CW-DF65-32-85-Z	10
BMT65	65	2-20 ER32	50	5000	137	94	102	80	30	100	29	265134-000	DW300-CW-DF65-32-100-Z	11.2
BMT65	65	2-20 ER32	50	5000	157	94	101	80	29	120	29	265160-000	DW300-CW-DF65-32-120-Z	12
BMT75	75	3-26 ER40	63	5000	115	112	112	105	45	70	35	275131-000	DW350-CW-DF75-40-70-Z	14
BMT75	75	3-26 ER40	63	5000	135	112	112	105	45	90	35	275132-000	DW350-CW-DF75-40-90-Z	16
BMT85	85	10-34 ER50	78	5000	136	125	138	97	56	85	40	285115-000	DW700-CW-DF85-50-85-Z	22
BMT85	85	10-34 ER50	78	5000	161	125	138	97	56	110	40	285116-000	DW700-CW-DF85-50-110-Z	24

AXIAL MILLING AND DRILLING HEAD

TYPE KOREA SERIES BMT

軸向鑽銑刀座 (0°)



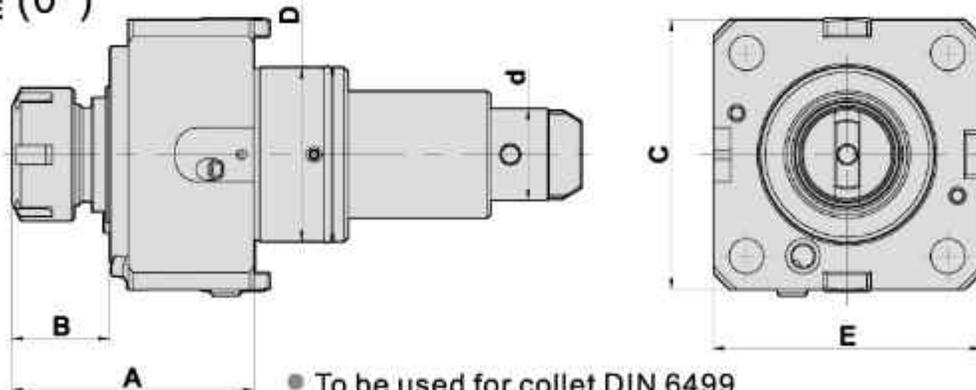
- To be used for collet DIN 6499
- Internal coolant supply: 15bar 中心出水
- Collet is not included

DIMENSIONS

Models	D	X Capacity	S	Maximum R.P.M.	A	B	C	E	Code No.	Order No.	(Kg) Weight
BMT45	45	1-13 ER20	35	6000	79	33	75	75	145107-000	DW220-CW-DA45-20	2.6
BMT55	55	1-16 ER25	42	6000	77	31.2	85	85	155107-000	DW230-CW-DA55-25	3.2
BMT55	55	2-20 ER32	50	6000	97	51	85	85	155118-000	DW230-CW-DA55-32	3.5
BMT65	65	1-16 ER25	50	6000	80	27	94	94	165147-000	DW300-CW-DA65-25	4.2
BMT65	65	2-20 ER32	50	6000	83	38	94	94	165107-000	DW300-CW-DA65-32	4
BMT65	65	3-26 ER40	63	6000	94	49	94	94	165130-000	DW300-CW-DA65-40	4.3
BMT75	75	3-26 ER40	63	6000	83	41	112	115	175107-000	DW350-CW-DA75-40	6
BMT85	85	3-26 ER40	63	6000	117	39	125	125	185114-000	DW700-CW-DA85-40	11.5
BMT85	85	10-34 ER50	78	6000	119	50	125	125	185107-000	DW700-CW-DA85-50	11.5

AXIAL MILLING AND DRILLING HEAD

軸向鑽銑刀座 (0°)



- To be used for collet DIN 6499
- Internal coolant supply: 15bar 中心出水
- Collet is not included

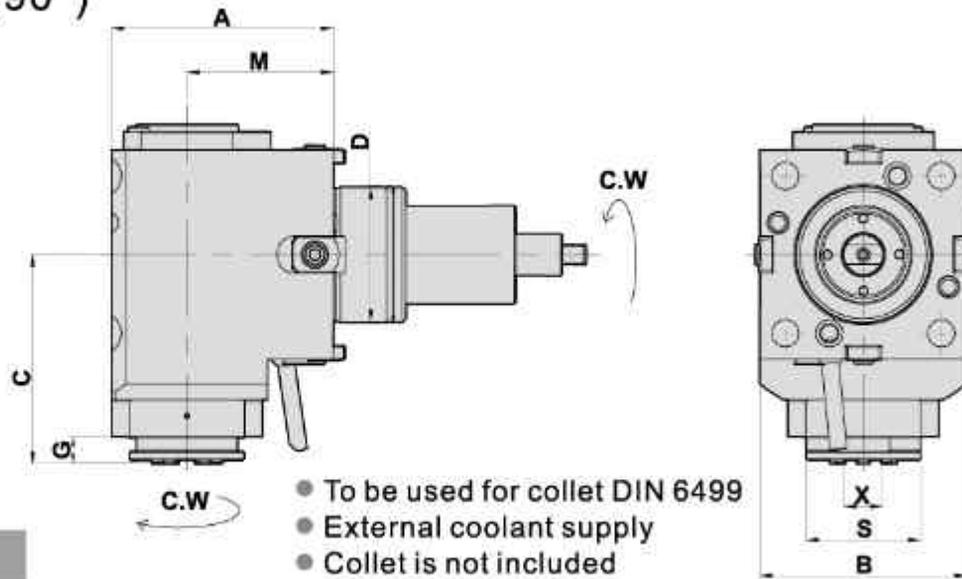
DIMENSIONS

Models	D	X Capacity	S	Maximum R.P.M.	A	B	C	E	d	Code No.	Order No.	(Kg) Weight
BMT55	55	1-16 ER25	42	6000	77	31	85	85	29	155108-000	DW230-CW-DA55-ER25-Z	3.2
BMT55	55	2-20 ER32	50	6000	97	51	85	85	29	155137-000	DW230-CW-DA55-ER32-Z	3.6
BMT65	65	2-20 ER32	50	6000	83	38	94	94	29	165122-000	DW300-CW-DA65-ER32-Z	4.2
BMT85	85	10-34 ER50	78	6000	119	50	125	125	40	185117-000	DW700-CW-DA85-ER50-Z	9.3

RADIAL MILLING AND DRILLING HEAD

TYPE KOREA SERIES BMT

徑向鑽銑刀座 (90°)



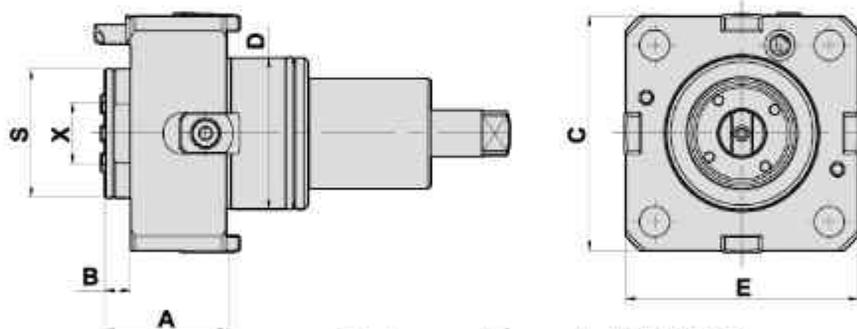
DIMENSIONS

Models	D	X Capacity	S	Maximum R.P.M.	A	B	C	G	M	Code No.	Order No.	(Kg) Weight
BMT45	45	1-13 ER20A	26	5000	95	75	69	15	65	245107-000	DW220-DF45-20A-65	4.8
BMT45	45	1-13 ER20A	26	5000	115	75	69	15	85	245109-000	DW220-DF45-20A-85	5.5
BMT55	55	1-16 ER25A	30	5000	91	85	85	11	60	255130-000	DW230-DF55-25A-60	6.2
BMT55	55	1-16 ER25A	30	5000	91	85	82	11	60	255141-000	*DW230-DF55-25A-60-TA	6.2
BMT55	55	1-16 ER25A	30	10000	91	85	87.5	13.5	60	255153-000	**DW230-DF55-25A-60I	6.2
BMT55	55	1-16 ER25A	30	5000	101	85	85	11	70	255126-000	DW230-DF55-25A-70	6.7
BMT55	55	1-16 ER25A	30	5000	101	85	82	11	70	255142-000	*DW230-DF55-25A-70-TA	6.7
BMT55	55	2-20 ER32A	38	5000	101	85	88.5	14.5	70	255127-000	DW230-DF55-32A-70	6.7
BMT55	55	2-20 ER32A	38	5000	116	85	88.5	14.5	85	255165-000	DW230-DF55-32A-85	7.8
BMT65	65	2-20 ER32A	38	5000	112	94	93	14	72	265128-000	*DW300-DF65-32A-72-TA	9.2

*重切削 HEAVY CUTTING
**2倍增速

AXIAL MILLING AND DRILLING HEAD

軸向鑽銑刀座 (0°)



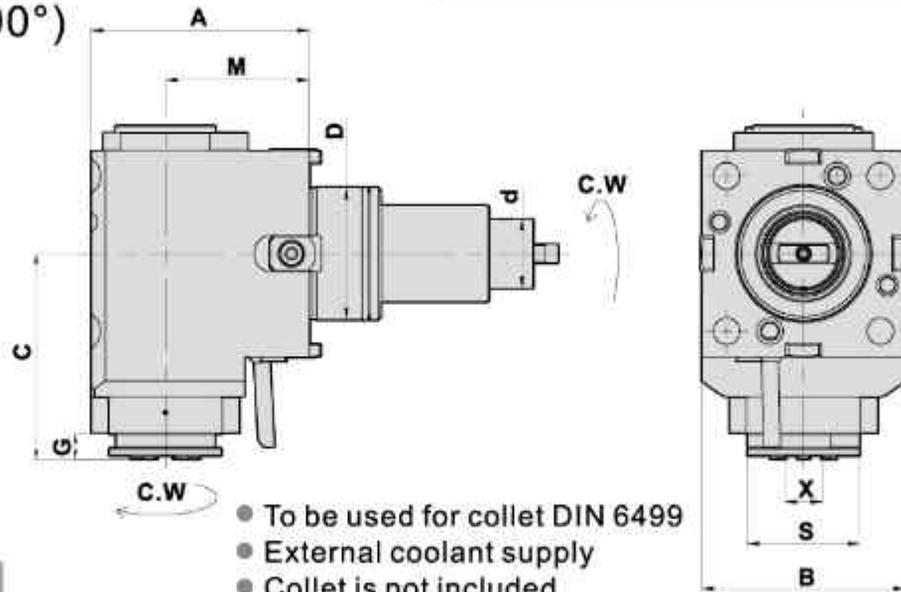
DIMENSIONS

Models	D	X Capacity	S	Maximum R.P.M.	A	B	C	E	-	Code No.	Order No.	(Kg) Weight
BMT45	45	1-13 ER20A	26	6000	52	14	75	75	-	145105-000	DW220-DA45-ER20A	2
BMT55	55	1-16 ER25A	30	6000	46	11	85	85	-	155112-000	DW230-DA55-ER25A	2.7

RADIAL MILLING AND DRILLING HEAD

TYPE KOREA SERIES BMT

徑向鑽銑刀座 (90°)



- To be used for collet DIN 6499
- External coolant supply
- Collet is not included

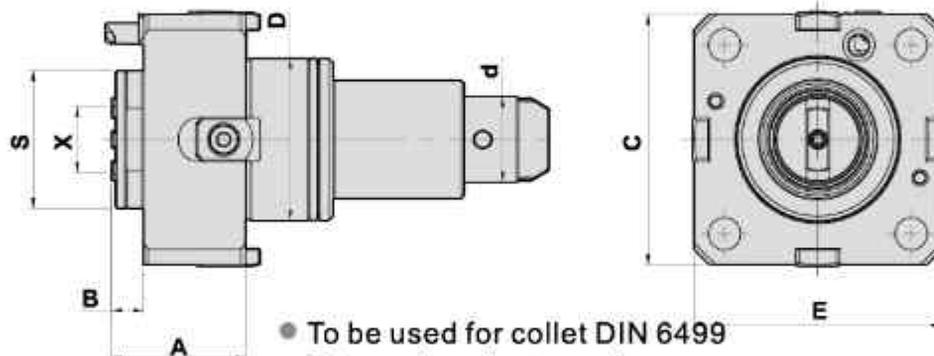
DIMENSIONS

Models	D	X Capacity	S	Maximum R.P.M.	A	B	C	G	M	d	Code No.	Order No.	(Kg) Weight
BMT55	55	1-16 ER25A	30	5000	91	85	85	11	60	29	255132-000	DW230-DF55-25A-60-Z	6.5
BMT55	55	1-16 ER25A	30	10000	91	85	87.5	13.5	60	29	255162-000	** DW230-DF55-25A-60I-Z	6.4
BMT55	55	1-16 ER25A	30	5000	101	85	85	11	70	29	255128-000	DW230-DF55-25A-70-Z	6.5
BMT55	55	1-16 ER25A	30	5000	101	85	86	15	70	29	255145-000	*DW230-DF55-25A-70-TA-Z	7.1
BMT55	55	1-16 ER25A	30	5000	116	85	85	11	85	29	255138-000	DW230-DF55-25A-85-Z	8.3
BMT55	55	1-20 ER32A	38	5000	101	85	88	14	70	29	255129-000	DW230-DF55-32A-70-Z	7
BMT75	75	3-26 ER40A	47	5000	135	112	100	29	70	35	275129-000	DW350-DF75-40A-70-Z	14
BMT75	75	3-26 ER40A	47	5000	135	112	100	29	90	35	275128-000	DW350-DF75-40A-90-Z	15.6

*重切削 HEAVY CUTTING
**2倍增速

AXIAL MILLING AND DRILLING HEAD

軸向鑽銑刀座 (0°)



- To be used for collet DIN 6499
- External coolant supply
- Collet is not included

DIMENSIONS

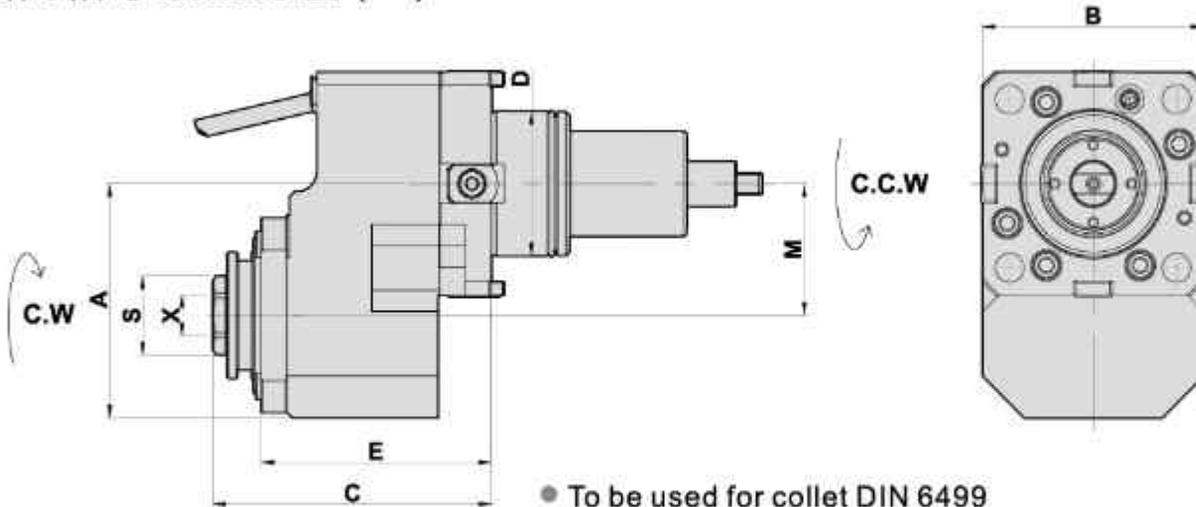
Models	D	X Capacity	S	Maximum R.P.M.	A	B	C	E	d	Code No.	Order No.	(Kg) Weight
BMT55	55	1-16 ER25A	30	6000	46	11	85	85	29	155113-000	DW230-DA55-ER25A-Z	2.8
BMT55	55	1-16 ER25A	30	6000	76	15	85	85	29	155124-000	*DW230-DA55-ER25A-TA-Z	4.2
BMT75	75	3-26 ER40A	47	6000	78	28	115	115	35	175108-000	DW350-DA75-ER40A-Z	6.9

*重切削 HEAVY CUTTING

AXIAL MILLING AND DRILLING HEAD OFFSET

TYPE KOREA SERIES BMT

軸向偏心鑽銑刀座 (0°)



- To be used for collet DIN 6499
- External coolant supply
- Collet is not included

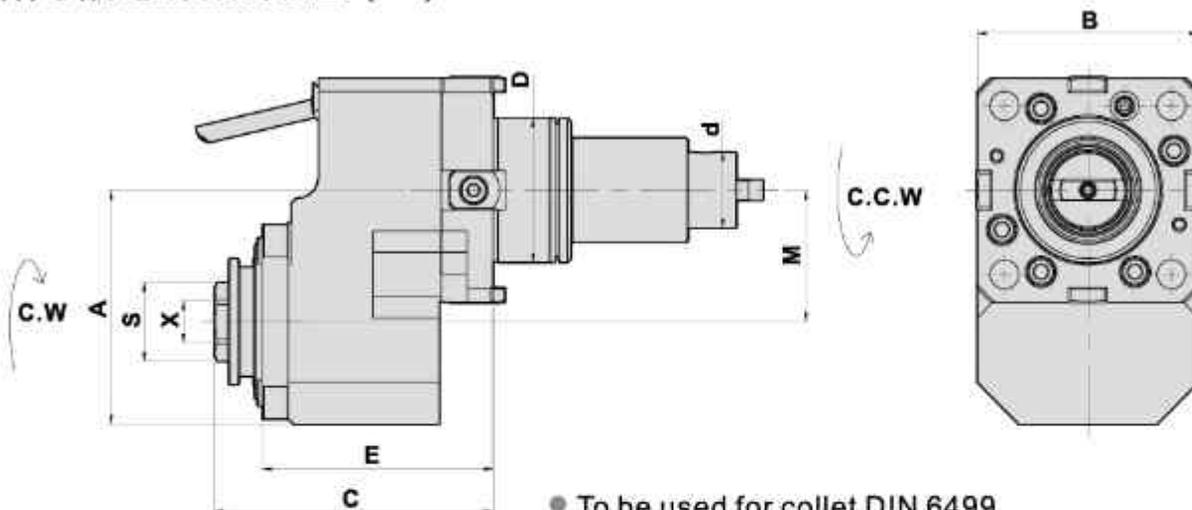
DIMENSIONS

Models	D	X Capacity	S	Maximum R.P.M.	A	B	C	E	M	Code No.	Order No.	(Kg) Weight
BMT55	55	1-16 ER25AC	30	12000	84	85	107	91	45	155128-000	* DW230-DA55-25A-45I	6.2

*2倍増速

AXIAL MILLING AND DRILLING HEAD OFFSET

軸向偏心鑽銑刀座 (0°)



- To be used for collet DIN 6499
- External coolant supply
- Collet is not included

DIMENSIONS

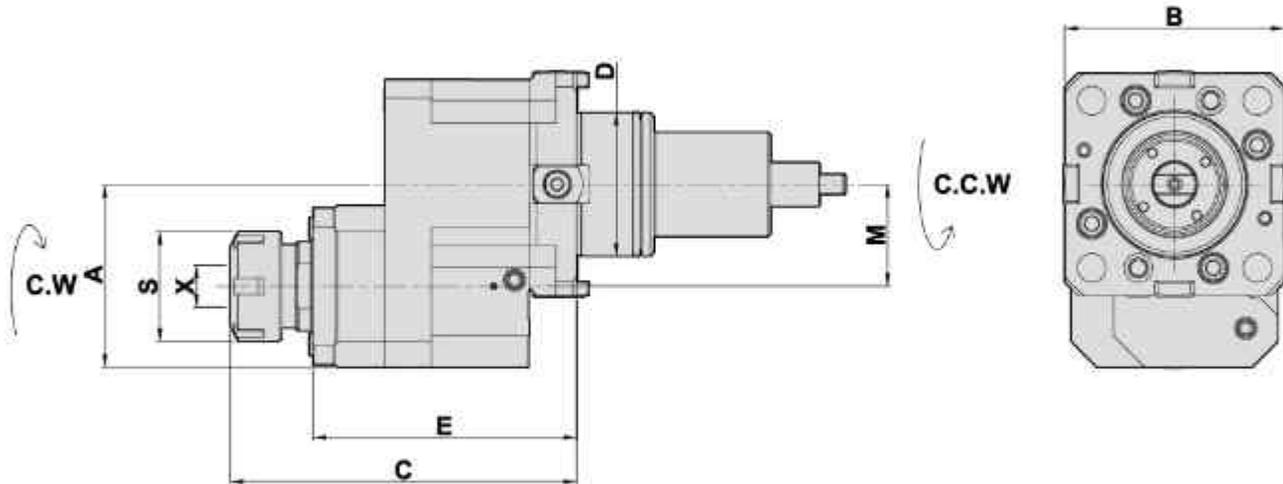
Models	D	X Capacity	S	Maximum R.P.M.	A	B	C	E	M	d	Code No.	Order No.	(Kg) Weight
BMT55	55	1-16 ER25AC	30	5000	89	85	107	89	50	29	155127-000	DW230-DA55-25A-50-Z	6.6
BMT55	55	1-16 ER25AC	30	12000	84	85	107	91	45	29	155133-000	* DW230-DA55-25A-45I-Z	6.3

*2倍増速

AXIAL MILLING AND DRILLING HEAD OFFSET

TYPE KOREA SERIES BMT

軸向偏心鑽銑刀座 (0°)



- To be used for collet DIN 6499
- Internal coolant supply: 30bar 中心出水
- Collet is not included

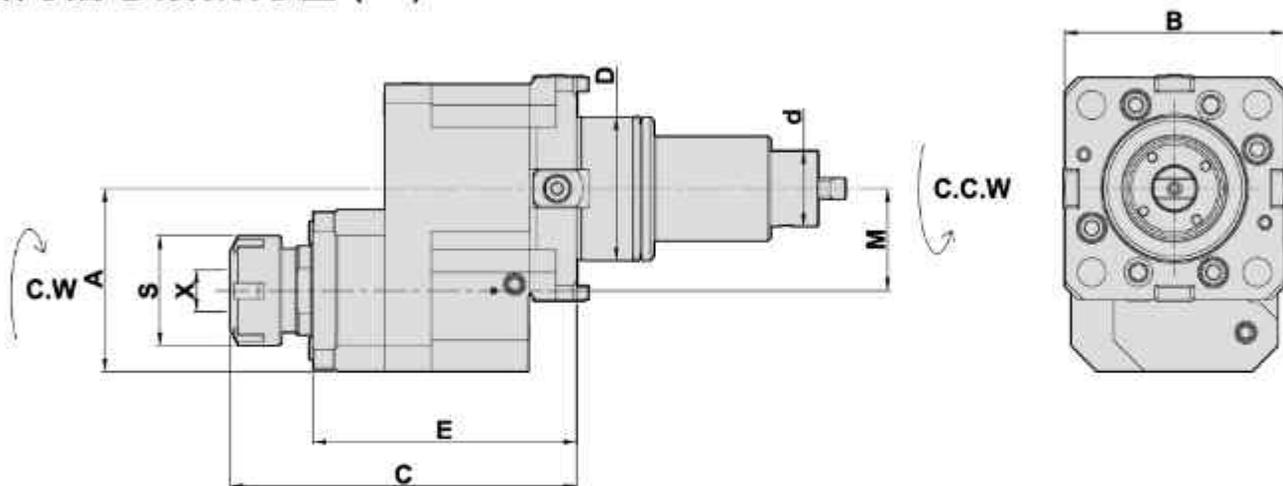
DIMENSIONS

Models	D	X Capacity	S	Maximum R.P.M.	A	B	C	E	M	Code No.	Order No.	(Kg) Weight
BMT55	55	1-16 ER25	42	12000	70	85	134	102	39	155119-000	* DW230-CW-DA55-25-39I	5.4

*2倍增速

AXIAL MILLING AND DRILLING HEAD OFFSET

軸向偏心鑽銑刀座 (0°)



- To be used for collet DIN 6499
- Internal coolant supply: 30bar 中心出水
- Collet is not included

DIMENSIONS

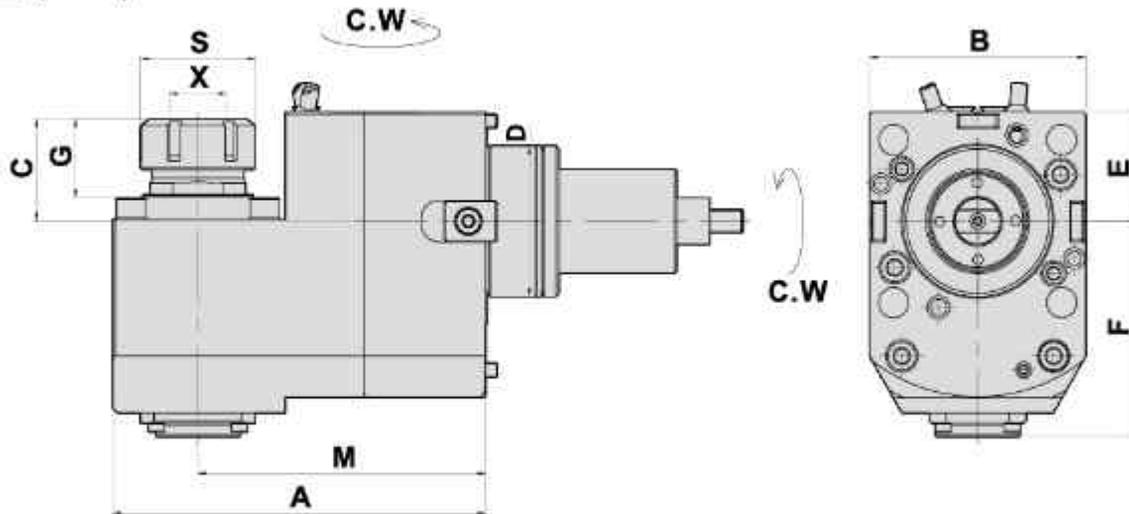
Models	D	X Capacity	S	Maximum R.P.M.	A	B	C	E	M	d	Code No.	Order No.	(Kg) Weight
BMT55	55	1-16 ER25	42	12000	70	85	134	102	39	29	155148-000	* DW230-CW-DA55-25-39I-Z	5.4

*2倍增速

RADIAL MILLING AND DRILLING HEAD OFFSET

TYPE KOREA SERIES BMT

後縮型 (90°)



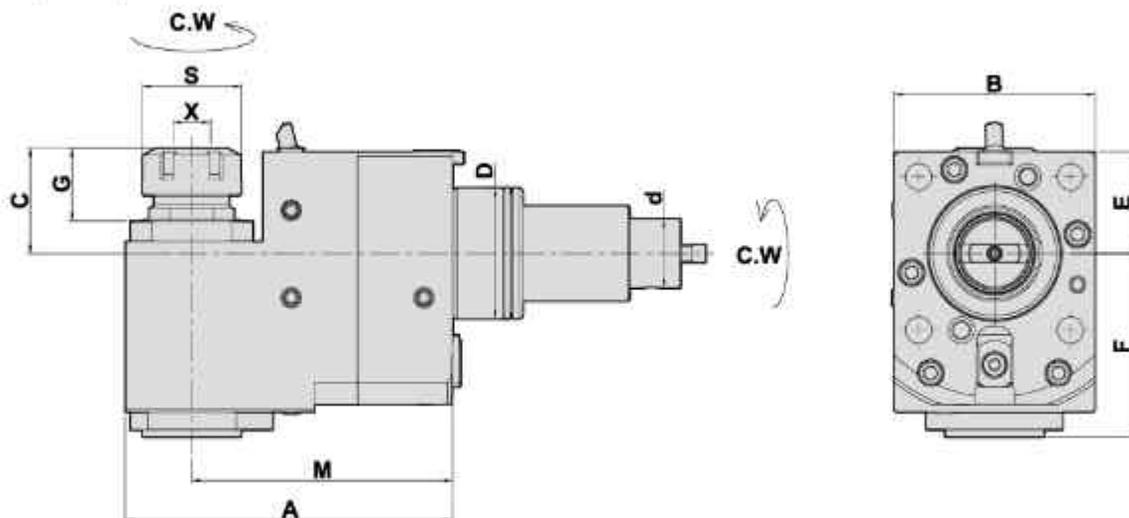
- To be used for collet DIN 6499
- External coolant supply
- Collet is not included

DIMENSIONS

Models	D	X Capacity	S	Maximum R.P.M.	A	B	C	E	F	G	M	Code No.	Order No.	(Kg) Weight
BMT45	45	1-13 ER20	35	5000	114	75	43	37.5	75	29	85	245117-000	DW220-DB45-20-85	5.9
BMT55	55	1-16 ER25	42	5000	113	85	44	42.5	77	31	85	255173-000	DW230-DB55-25-85	7.5
BMT65	65	2-20 ER32	50	5000	162	94	44	47	93	34	125	265109-000	DW300-DB65-32-125	12.4

RADIAL MILLING AND DRILLING HEAD OFFSET

後縮型 (90°)



- To be used for collet DIN 6499
- External coolant supply
- Collet is not included

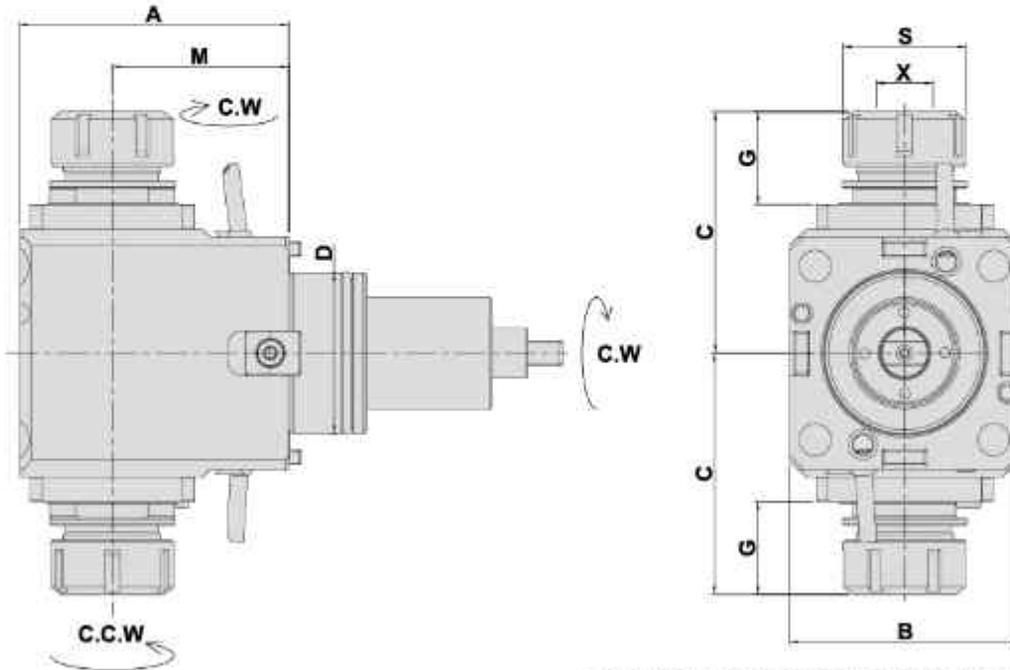
DIMENSIONS

Models	D	X Capacity	S	Maximum R.P.M.	A	B	C	E	F	G	M	d	Code No.	Order No.	(Kg) Weight
BMT55	55	1-16 ER25	42	5000	113	85	44	42.5	77	31	85	29	255179-000	DW230-DB55-25-85-Z	7.5

**RADIAL MILLING AND DRILLING HEAD
DOUBLE HEADS**

TYPE KOREA SERIES BMT

徑向雙頭鑽銑刀座 (90°)



- To be used for collet DIN 6499
- External coolant supply
- Collet is not included

DIMENSIONS

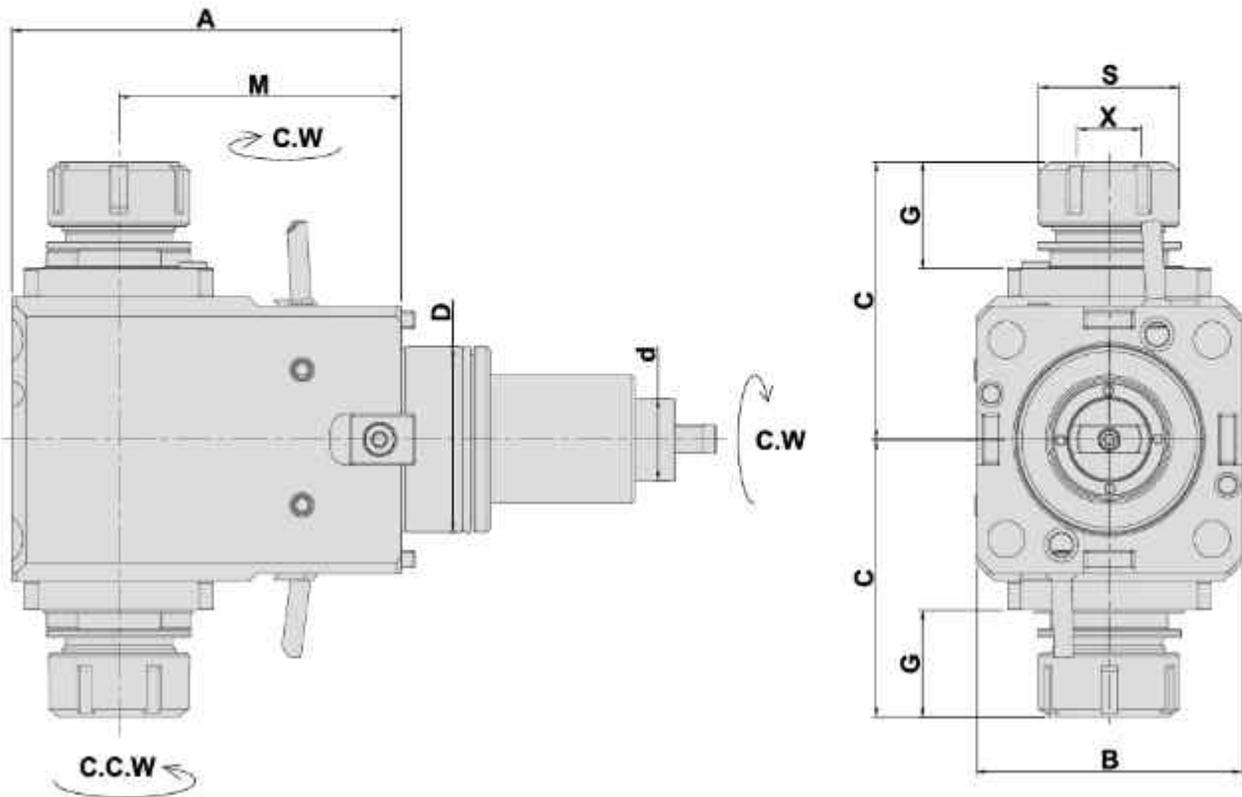
Models	D	X Capacity	S	Maximum R.P.M.	A	B	C	G	M	Code No.	Order No.	(Kg) Weight
BMT45	45	1-13 ER 20	35	5000	95	75	85	30	65	245111-000	DW220-DF45-20-65D	5.2
BMT45	45	1-13 ER 20	35	5000	115	75	85	30	85	245110-000	DW220-DF45-20-85D	6.1
BMT55	55	1-16 ER 25	42	5000	95	85	91	31	60	255103-000	DW230-DF55-25-60D	6.5
BMT55	55	1-16 ER 25	42	5000	105	85	91	31	70	255108-000	DW230-DF55-25-70D	7.1
BMT55	55	1-16 ER 25	42	5000	120	85	91	31	85	255135-000	DW230-DF55-25-85D	8.3
BMT65	65	2-20 ER 32	50	5000	110	94	98	38	72	265108-000	DW300-DF65-32-72D	8.7
BMT65	65	2-20 ER 32	50	5000	123	94	98	38	85	265103-000	DW300-DF65-32-85D	9.5
BMT65	65	2-20 ER 32	50	5000	138	94	98	38	100	265115-000	DW300-DF65-32-100D	10.8
BMT65	65	2-20 ER 32	50	5000	152	94	98	38	115	265122-000	DW300-DF65-32-115D	11.5

RADIAL MILLING AND DRILLING HEAD DOUBLE HEADS

TYPE

KOREA SERIES BMT

徑向雙頭鑽銑刀座 (90°)



- To be used for collet DIN 6499
- External coolant supply
- Collet is not included

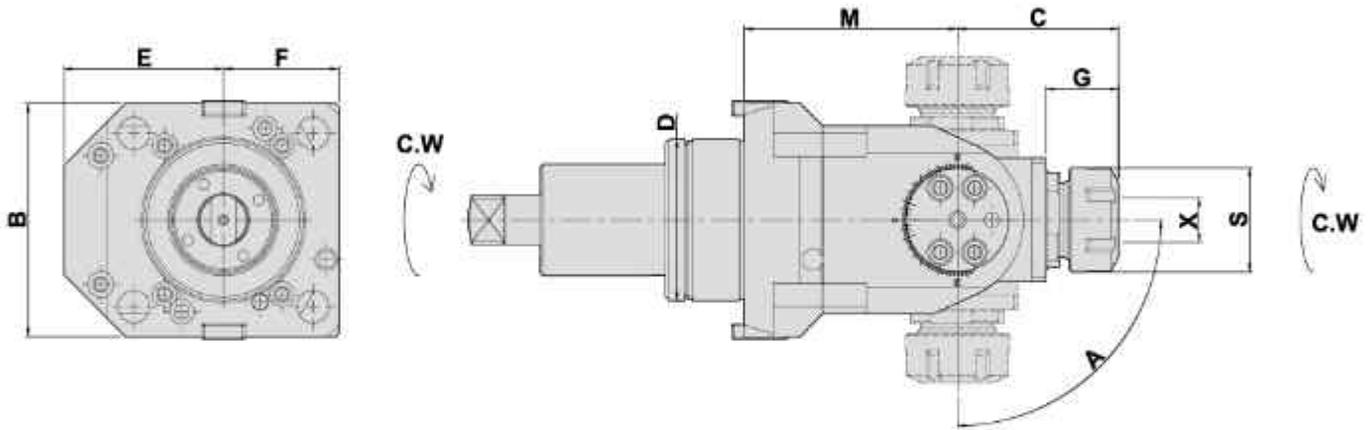
DIMENSIONS

Models	D	X Capacity	S	Maximum R.P.M.	A	B	C	G	M	d	Code No.	Order No.	(Kg) Weight
BMT55	55	1-16 ER25	42	5000	105	85	91	31	70	29	255113-000	DW230-DF55-25-70D-Z	7.5
BMT55	55	1-16 ER25	42	5000	120	85	91	31	85	29	255171-000	DW230-DF55-25-85D-Z	8.3
BMT65	65	2-20 ER32	50	5000	110	94	98	38	72	29	265143-000	DW300-DF65-32-72D-Z	9.2
BMT65	65	2-20 ER32	50	5000	123	94	98	38	85	29	265137-000	DW300-DF65-32-85D-Z	10
BMT65	65	2-20 ER32	50	5000	138	94	98	38	100	29	265132-000	DW300-DF65-32-100D-Z	11.1

ANGULAR HEAD

TYPE KOREA SERIES BMT

萬向鑽銑刀座



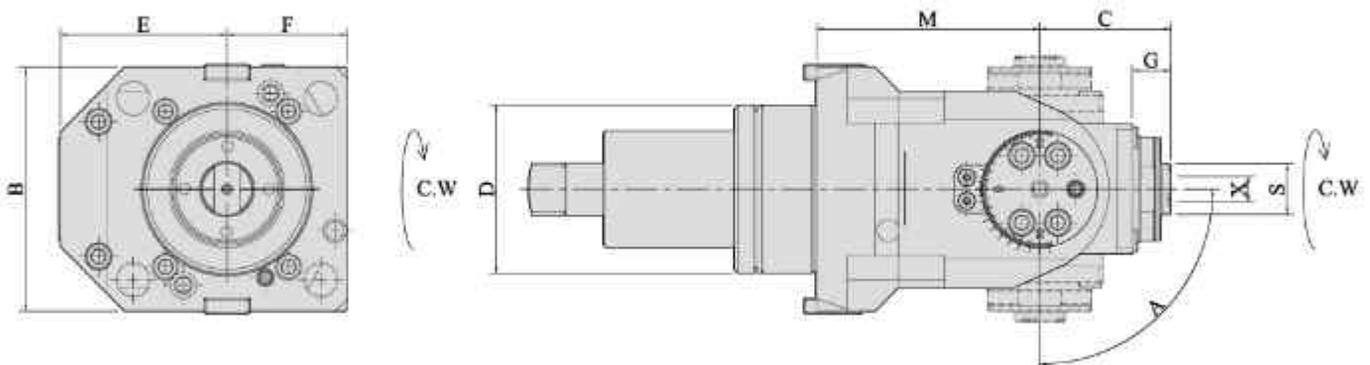
DIMENSIONS

- To be used for collet DIN 6499
- External coolant supply
- Collet is not included

Models	D	X Capacity	S	Maximum R.P.M.	A	B	C	E	F	G	M	Code No.	Order No.	(Kg) Weight
BMT45	45	1-13 ER20	35	5000	±90°	77	59	38	53	29	69	145102-000	DW220-DA45-20B	3.8
BMT55	55	1-13 ER20	35	5000	±90°	90	59	53	43	29	72	155115-000	DW230-DA55-20B	4.8
BMT55	55	1-16 ER25	42	5000	±90°	90	66	66	49	29	87	155153-000	DW230-DA55-25B	7.2
BMT65	65	1-16 ER25	42	5000	±90°	94	66	65	47	29	87	165115-000	DW300-DA65-25B	6.8
BMT75	75	2-20 ER32	50	5000	±90°	115	93	85	58	36	108	175115-000	DW350-DA75-32B	16
BMT85	85	3-26 ER40	63	5000	±90°	125	95	85	63	38	113	185115-000	DW700-DA85-40B	19

ANGULAR HEAD

萬向鑽銑刀座



DIMENSIONS

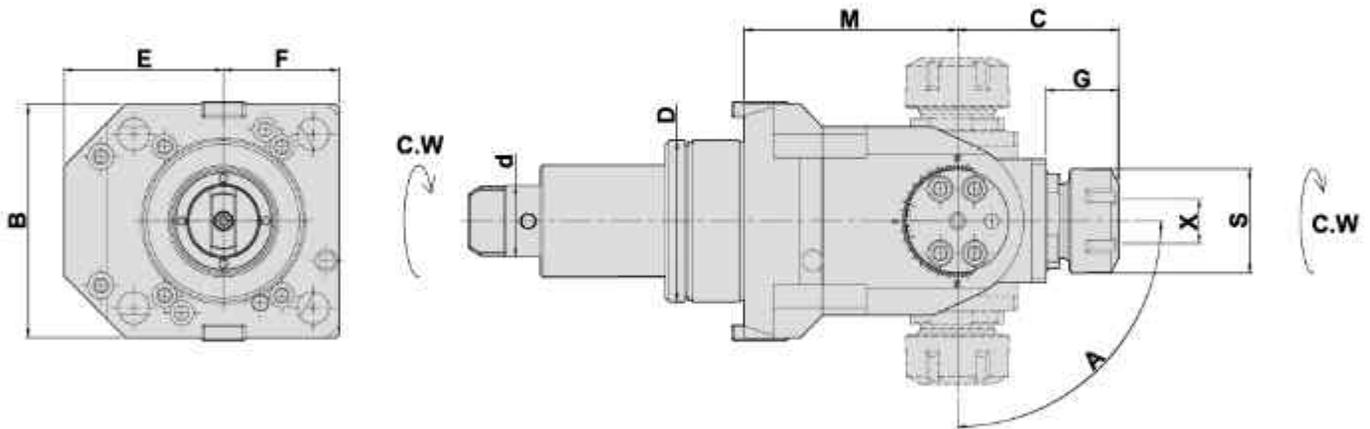
- To be used for collet DIN 6499
- External coolant supply
- Collet is not included

Models	D	X Capacity	S	Maximum R.P.M.	A	B	C	E	F	G	M	Code No.	Order No.	(Kg) Weight
BMT65	65	1-10 ER16AC	20	5000	±90°	94	51	65	47	15	87	165116-000	DW300-DA65-16BAC	6.7

ANGULAR HEAD

TYPE KOREA SERIES BMT

萬向鑽銑刀座



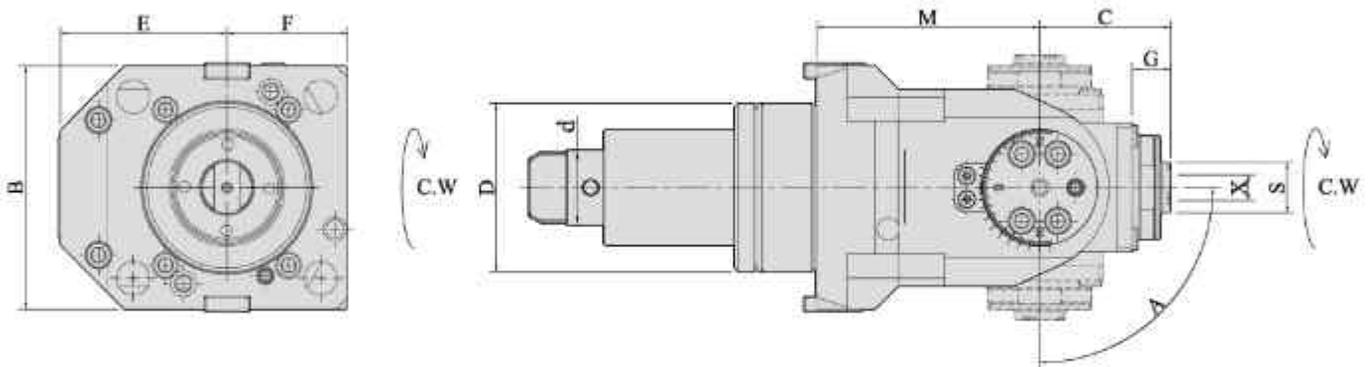
- To be used for collet DIN 6499
- External coolant supply
- Collet is not included

DIMENSIONS

Models	D	X Capacity	S	Maximum R.P.M.	A	B	C	E	F	G	M	Code No.	Order No.	(Kg) Weight
BMT55	55	1-13 ER20	35	5000	±90°	90	59	53	43	29	72	155116-000	DW230-DA55-20B-Z	4.8
BMT55	55	1-16 ER25	42	5000	±90°	100	66	65.5	49	29	87	155120-000	DW230-DA55-25B-Z	7.2
BMT65	65	1-16 ER25	42	5000	±90°	94	66	65.5	47	29	87	165132-000	DW300-DA65-25B-Z	6.9

ANGULAR HEAD

萬向鑽銑刀座



- To be used for collet DIN 6499
- External coolant supply
- Collet is not included

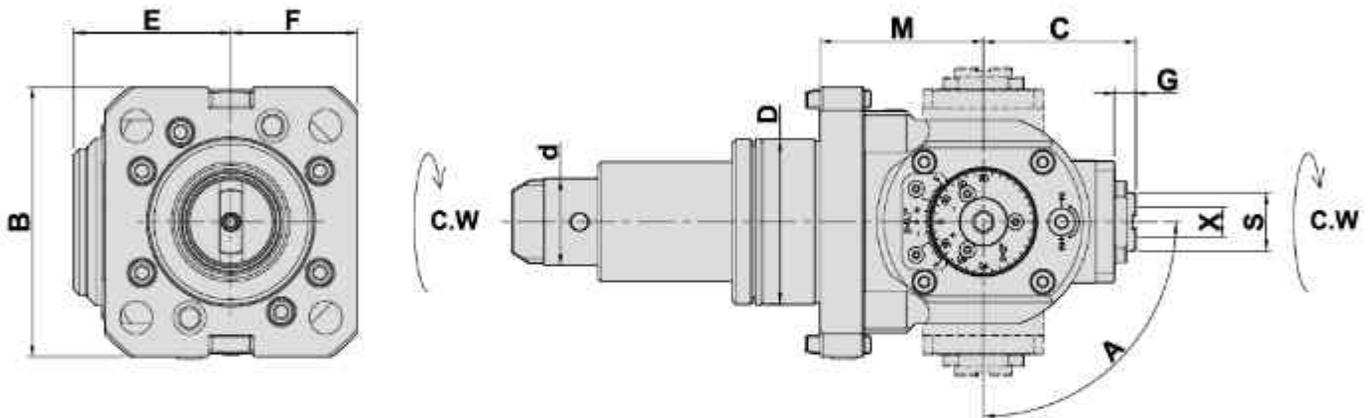
DIMENSIONS

Models	D	X Capacity	S	Maximum R.P.M.	A	B	C	E	F	G	M	d	Code No.	Order No.	(Kg) Weight
BMT65	65	1-10 ER16AC	20	5000	±90°	94	51	65.5	47	15	87	29	165133-000	DW300-DA65-16BAC-Z	6.7

ANGULAR HEAD

TYPE KOREA SERIES BMT

萬向鑽銑刀座



角度可使用扳手微調
The angle can be adjusted by wrench.

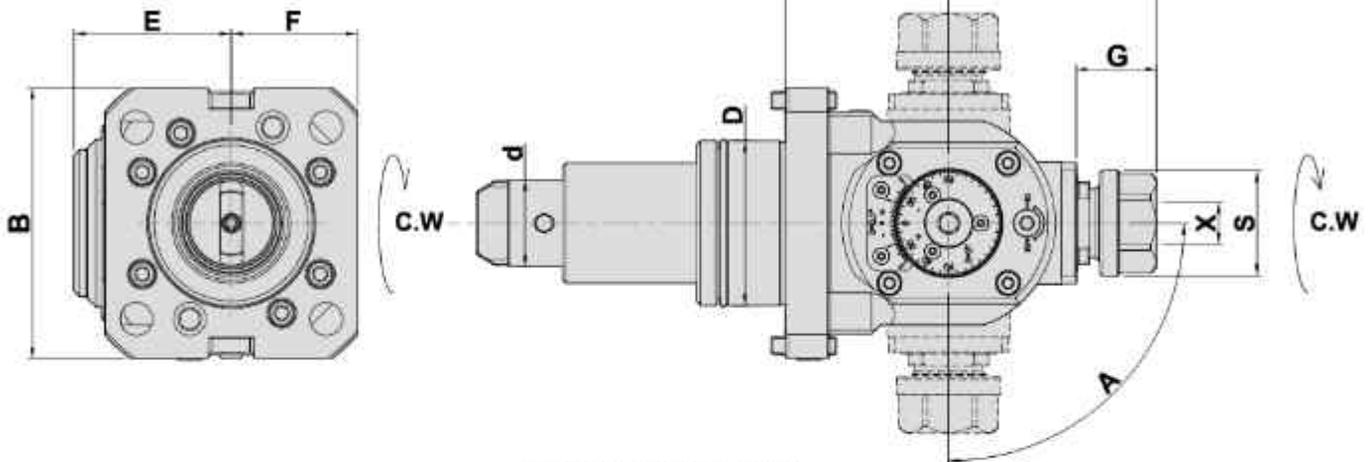
- To be used for collet DIN 6499
- External coolant supply
- Collet is not included

DIMENSIONS

Models	D	X Capacity	S	Maximum R.P.M.	A	B	C	E	F	G	M	d	Code No.	Order No.	(Kg) Weight
BMT55	55	1-10 ER16AC	20	5000	±90°	90	51.5	53	43	7.3	55	29	155135-000	DW230-DA55-16BAC-FT-Z	4.4

ANGULAR HEAD

萬向鑽銑刀座



角度可使用扳手微調
The angle can be adjusted by wrench.

- To be used for collet DIN 6499
- External coolant supply
- Collet is not included

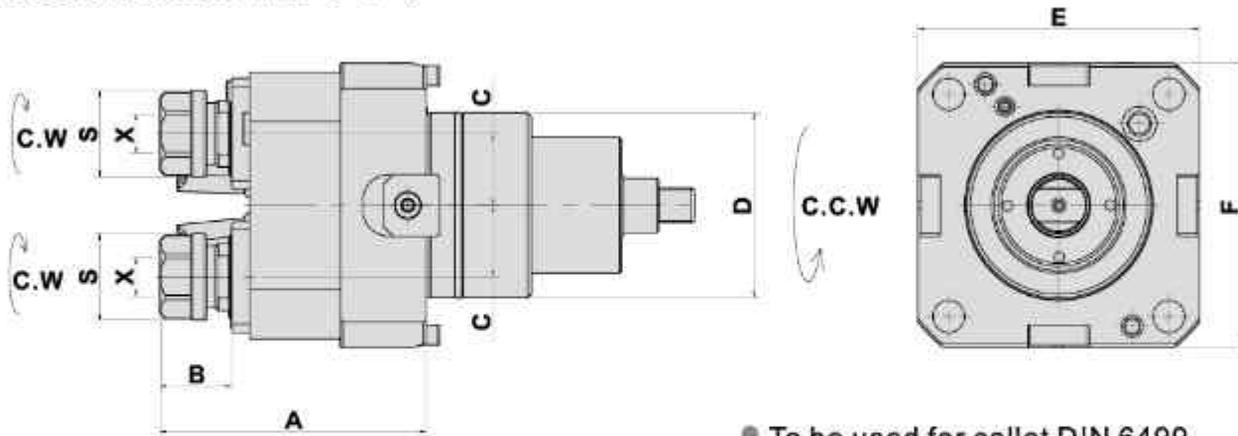
DIMENSIONS

Models	D	X Capacity	S	Maximum R.P.M.	A	B	C	E	F	G	M	d	Code No.	Order No.	(Kg) Weight
BMT55	55	1-13 ER20	35	5000	±90°	90	70	53	43	27	55	29	155142-000	DW230-DA55-20B-FT-Z	4.4
BMT65	65	1-16 ER25	42	5000	±90°	94	80	69	47	29	73	29	165148-000	DW300-DA65-25B-FT-Z	7.9

AXIAL MILLING AND DRILLING HEAD DOUBLE HEADS

TYPE KOREA SERIES BMT

軸向雙頭鑽銑刀座 (0°)



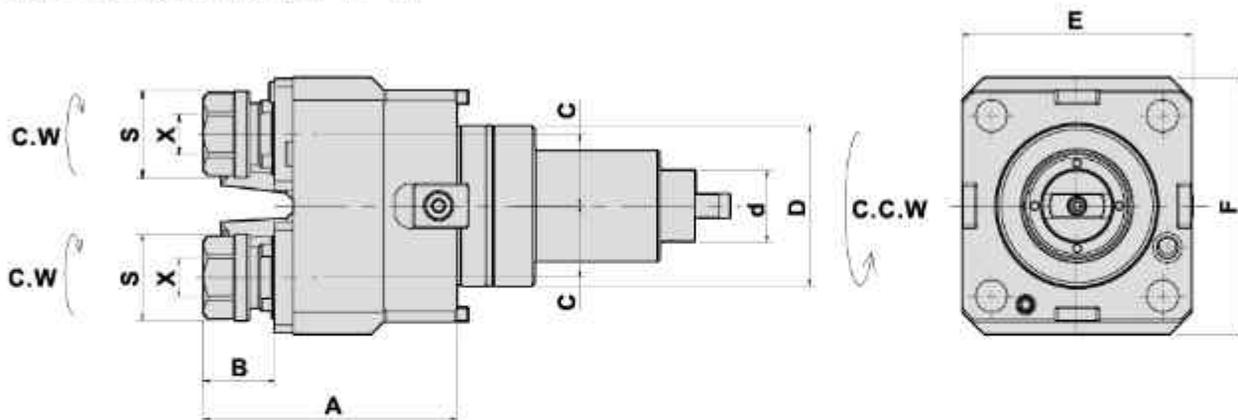
- To be used for collet DIN 6499
- External coolant supply
- Collet is not included

DIMENSIONS

Models	D	X Capacity	S	Maximum R.P.M.	A	B	C	E	F	Code No.	Order No.	(Kg) Weight
BMT45	45	1-10 ER16	28	6000	86	27	24	96	84	145109-000	DW220-DA45-16DY	3.7
BMT55	55	1-11 ER16	28	6000	86	27	24	96	85	155103-000	DW230-DA55-16DY	4.1
BMT55	55	1-16 ER25	42	6000	87	29	24	94	98	155152-000	DW230-DA55-25DY	4.5
BMT65	65	1-13 ER20	35	6000	104	29	29	94	104	165109-000	DW300-DA65-20DY	6
BMT65	65	1-16 ER25	42	6000	110	36	29	94	104	165134-000	DW300-DA65-25DY	6.3
BMT75	75	1-13 ER20	35	6000	109	29	29	115	115	175102-000	DW350-DA75-20DY	7.8

AXIAL MILLING AND DRILLING HEAD DOUBLE HEADS

軸向雙頭鑽銑刀座 (0°)



- To be used for collet DIN 6499
- External coolant supply
- Collet is not included

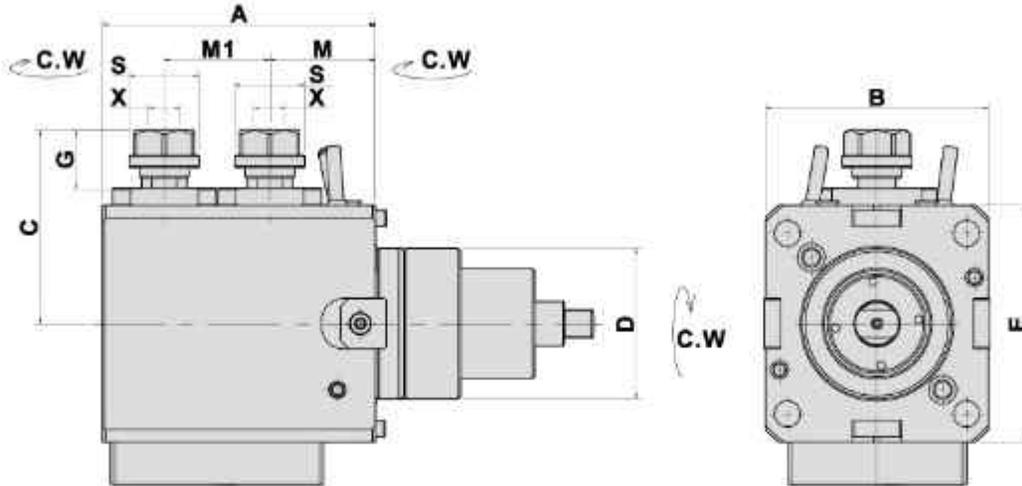
DIMENSIONS

Models	D	X Capacity	S	Maximum R.P.M.	A	B	C	E	F	d	Code No.	Order No.	(Kg) Weight
BMT55	55	1-11 ER16	28	6000	86	27	24	96	85	29	155141-000	DW230-DA55-16DY-Z	4.1
BMT55	55	1-16 ER25	42	6000	87	29	24	94	98	29	155139-000	DW230-DA55-25DY-Z	4.6
BMT65	65	1-13 ER20	35	6000	104	29	29	94	104	29	165125-000	DW300-DA65-20DY-Z	6.3

AXIAL MILLING AND DRILLING HEAD DOUBLE HEADS

TYPE KOREA SERIES BMT

徑向雙頭鑽銑刀座 (90°)



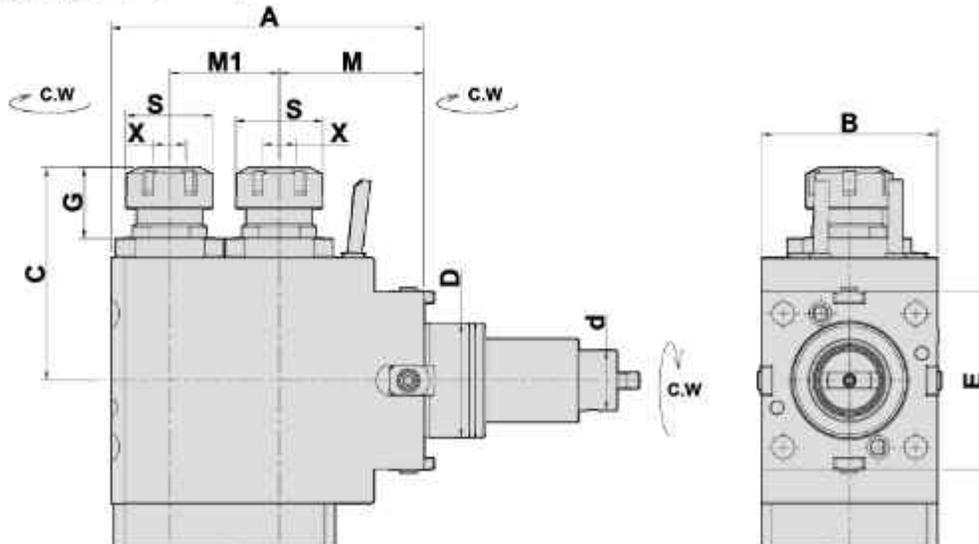
- To be used for collet DIN 6499
- External coolant supply
- Collet is not included

DIMENSIONS

Models	D	X Capacity	S	Maximum R.P.M.	A	B	C	E	G	M	M1	Code No.	Order No.	(Kg) Weight
BMT55	55	1-13 ER20	35	5000	151	85	98	85	30	70	53	255118-000	DW230-DF55-20-2-123	11.5
BMT75	75	1-13 ER20	35	5000	137	112	98	118	30	53	53	275116-000	DW350-DF75-20-2-106	15

RADIAL MILLING AND DRILLING HEAD DOUBLE HEADS

徑向雙頭鑽銑刀座 (90°)



- To be used for collet DIN 6499
- External coolant supply
- Collet is not included

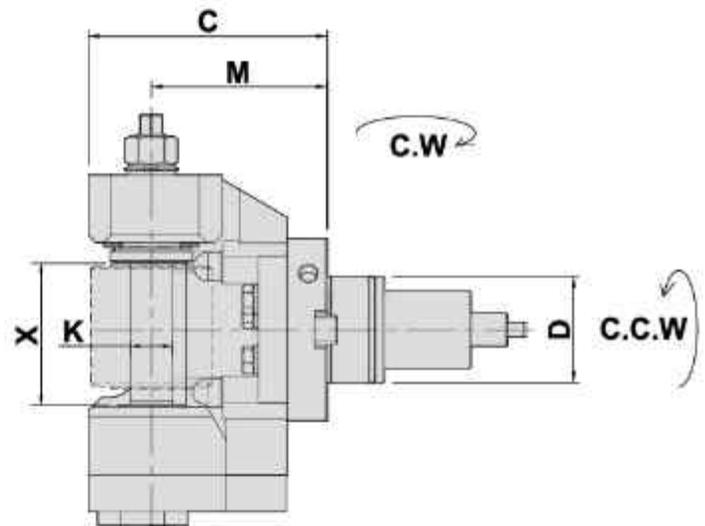
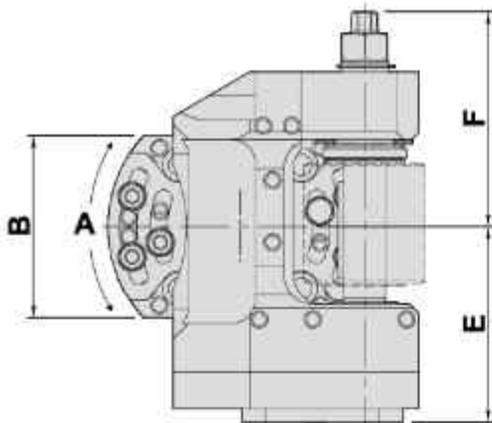
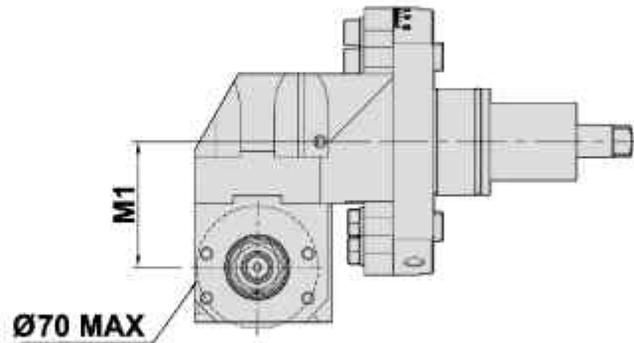
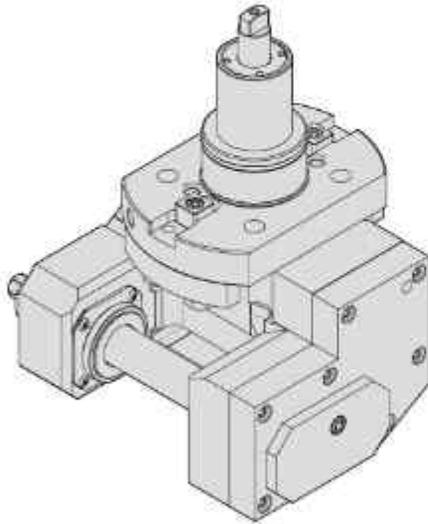
DIMENSIONS

Models	D	X Capacity	S	Maximum R.P.M.	A	B	C	E	G	M	M1	d	Code No.	Order No.	(Kg) Weight
BMT55	55	1-16 ER25	42	5000	151	85	102	85	34	70	53	29	255101012-000	DW230-DF55-25-2-123-Z	12.1

DRIVEN GEAR HOBBER

TYPE KOREA SERIES BMT

滾齒刀座



• External coolant supply

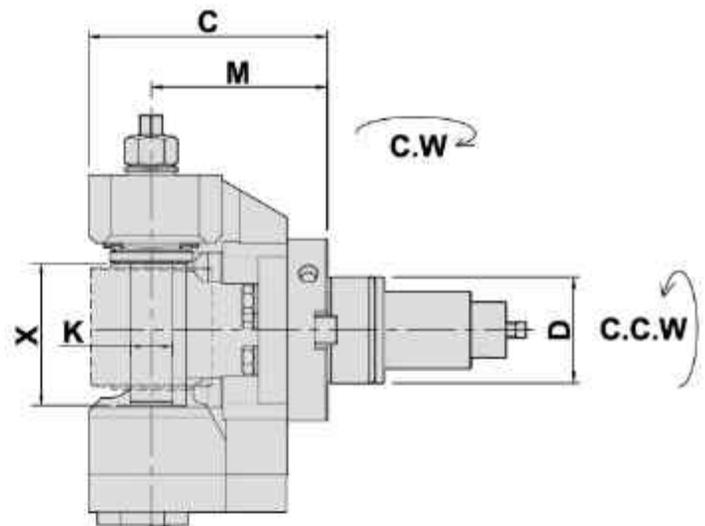
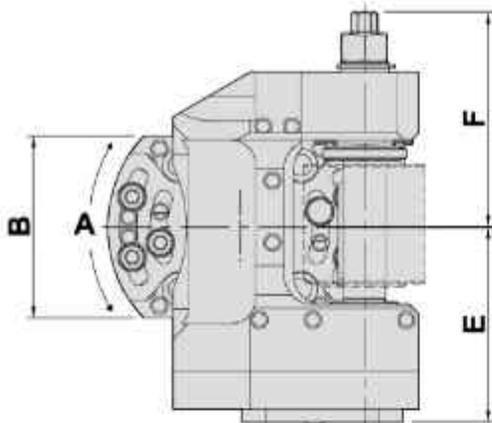
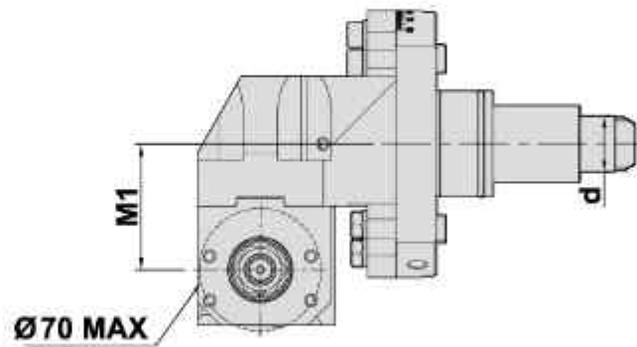
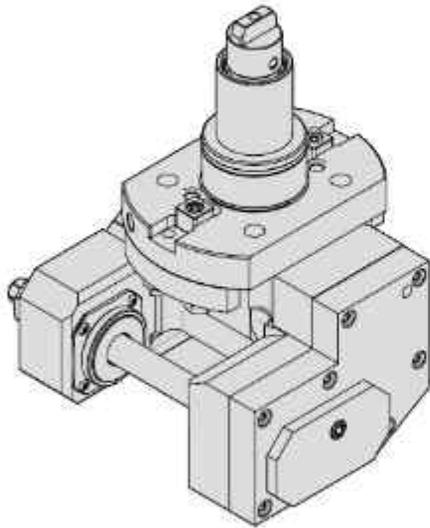
DIMENSIONS

Models	D	X	Maximum R.P.M.	A	B	C	E	F	K	M	M1	Code No.	Order No.	(Kg) Weight
BMT55	55	73	4000	±20°	94	125	101	111	16	92	65	255147-000	DW230-DF55-16C-65-92	12.3
BMT55	55	73	4000	±20°	94	125	101	111	22	92	65	255133-000	DW230-DF55-22C-65-92	12.3
BMT65	65	77	4000	±20°	94	125	101	111	22	92	65	265114-000	DW300-DF65-22C-65-92	13
BMT75	75	79	4000	±30°	115	139	101	111	22	106	65	275119-000	DW350-DF75-22C-65-106	17.5

DRIVEN GEAR HOBBER

TYPE KOREA SERIES BMT

滾齒刀座



• External coolant supply

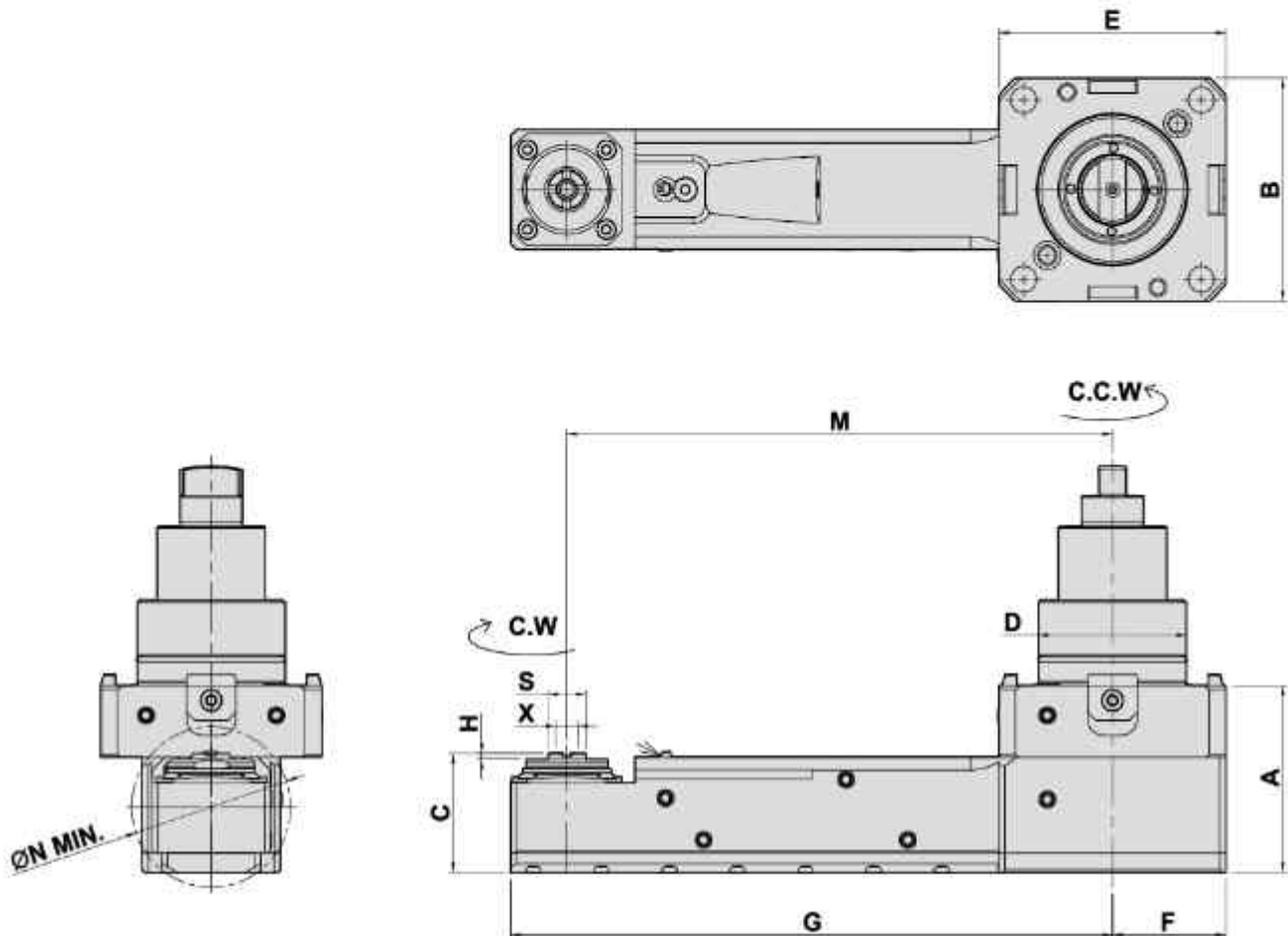
DIMENSIONS

Models	D	X	Maximum R.P.M.	A	B	C	E	F	K	M	M1	d	Code No.	Order No.	(Kg) Weight
BMT55	55	73	4000	±20°	94	125	101	111	16	92	65	29	255148-000	DW230-DF55-16C-65-92-Z	12.3
BMT55	55	73	4000	±20°	94	125	101	111	22	92	65	29	255101011-000	DW230-DF55-22C-65-92-Z	12.3
BMT65	65	77	4000	±20°	94	125	101	111	22	92	65	29	265146-000	DW300-DF65-22C-65-92-Z	13

AXIAL MILLING AND DRILLING HEAD OFFSET

TYPE KOREA SERIES BMT

軸向偏心鑽銑刀座(0°)



● External coolant supply

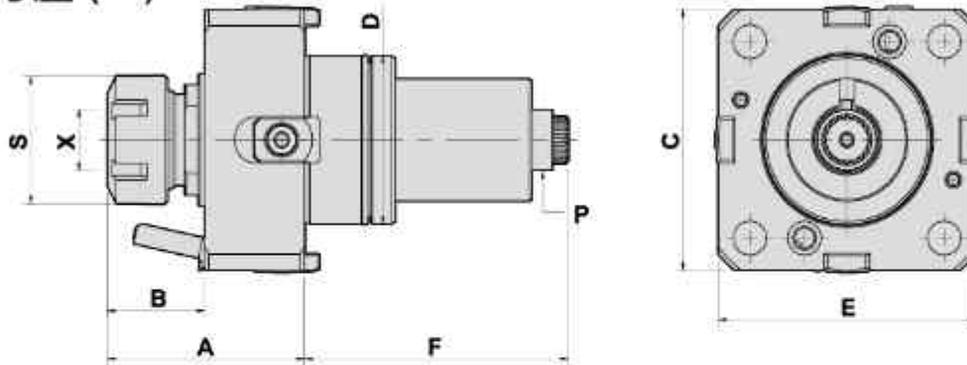
DIMENSIONS

Models	D	X Capacity	S	Maximum R.P.M.	A	B	C	E	F	G	H	M	N (MIN.)	Code No.	Order No.	(Kg) Weight
BMT75	75	1-10 ER16	19.5	5000	94	112	60	115	57.5	305	3	276.5	80	175114-000	DW350-DA75-16A-276	14.5
BMT75	75	1-10 ER16	19.5	5000	94	112	60	115	57.5	270.5	3	242	72	175120-000	DW350-DA75-16A-242	12.8

AXIAL MILLING AND DRILLING HEAD

TYPE DAEWOO-5480

軸向鑽銑刀座 (0°)



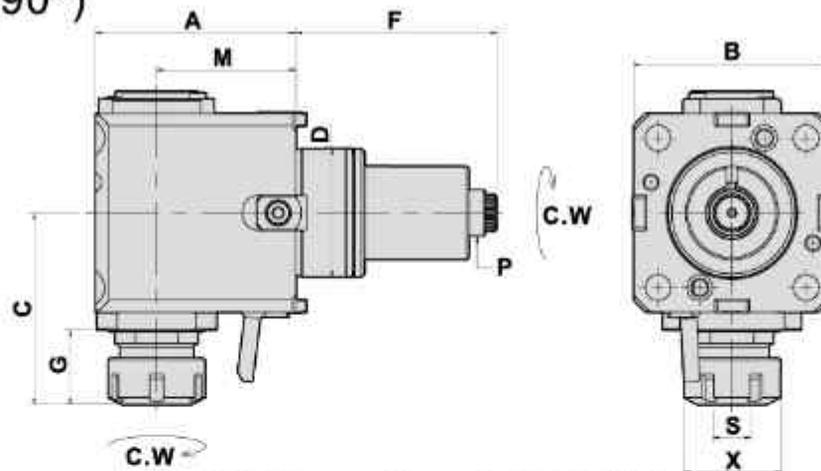
- To be used for collet DIN 6499
- External coolant supply
- Collet is not included

DIMENSIONS

Models	D	X Capacity	S	Maximum R.P.M.	A	B	C	E	F	P DIN 5480	Code No.	Order No.	(Kg) Weight
BMT45	45	1-13 ER 20	35	6000	63	35	75	75	72	W14x0.8	145201-000	DW220-5480-DA45-ER20	1.8
BMT55	55	1-16 ER 25	42	6000	65	32	85	85	87	W16x0.8	155201-000	DW230-5480-DA55-ER25	2.6
BMT55	55	1-16 ER 25	42	6000	65	32	85	85	102	W16x0.8	15520A-000	DUP-DW230-5480-DA55-ER25	2.8
BMT65	65	2-20 ER 32	50	6000	82	44	94	94	95	W20x0.8	165201-000	DW300-5480-DA65-ER32	4

RADIAL MILLING AND DRILLING HEAD

徑向鑽銑刀座 (90°)



- To be used for collet DIN 6499
- External coolant supply
- Collet is not included

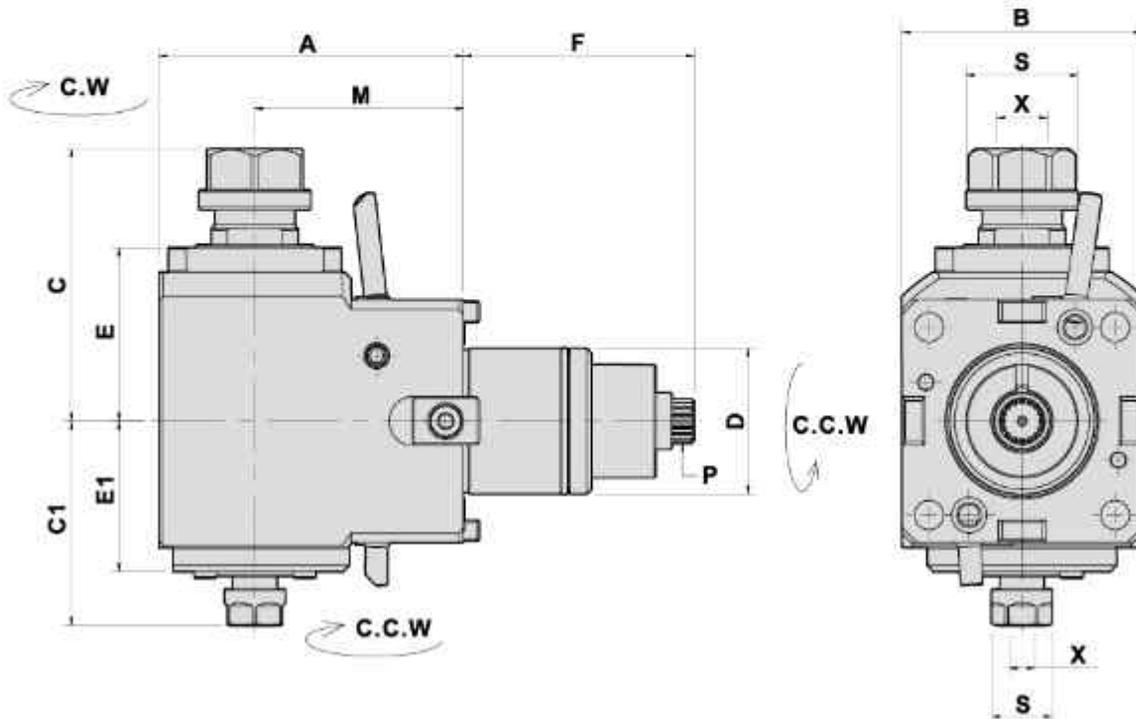
DIMENSIONS

Models	D	X Capacity	S	Maximum R.P.M.	A	B	C	G	F	M	P DIN 5480	Code No.	Order No.	(Kg) Weight
BMT45	45	1-13 ER 20	35	5000	95	75	77.5	29	72	65	W14x0.8	245201-000	DW220-5480-DF45-20-65	4.8
BMT55	55	1-16 ER 25	42	5000	86.5	85	83	32	87	60	W16x0.8	255202-000	DW230-5480-DF55-25-60	5.3
BMT55	55	1-16 ER 25	42	5000	112	85	83	32	102	85	W16x0.8	25520A-000	DUP-DW230-5480-DF55-25-85	6.7
BMT65	65	2-20 ER 32	50	5000	136	94	100	34	95	100	W20x0.8	265203-000	DW300-5480-DF65-32-100	10.3
BMT65	65	2-20 ER 32	50	5000	151	94	100	34	95	115	W20x0.8	265204-000	DW300-5480-DF65-32-115	11.6

RADIAL MILLING AND DRILLING HEAD

TYPE DAEWOO-5480

徑向鑽銑刀座 (90°)



- To be used for collet DIN 6499
- External coolant supply
- Collet is not included

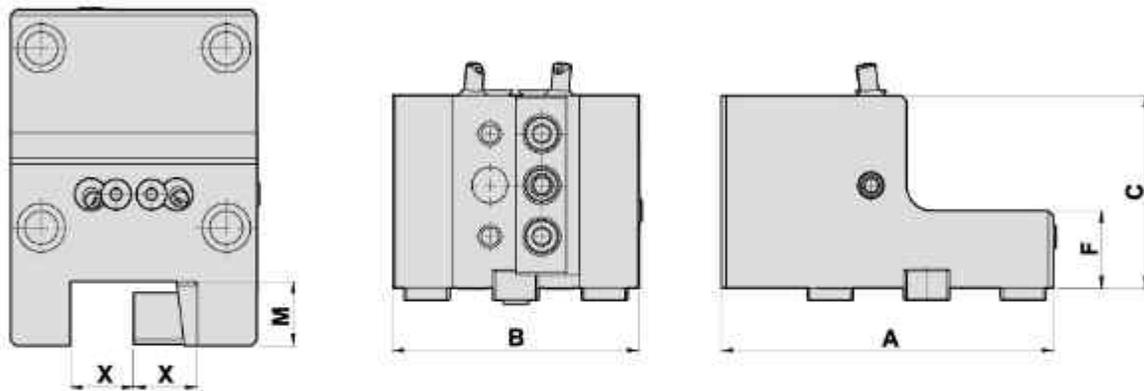
DIMENSIONS

Models	D	X Capacity	S	Maximum R.P.M.	A	B	C	C1	E	E1	F	M	P DIN 5480	Code No.	Order No.	(Kg) Weight
BMT45	45	1st-ER11 2nd-ER20	19 35	4000	95	75	84	63	53.5	46.5	72	65	W14x0.8	245202-000	DW220-5480- DF45-20-11-65D	4.7

TURNING HOLDER

TYPE KOREA SERIES BMT

外徑刀座



DIMENSIONS

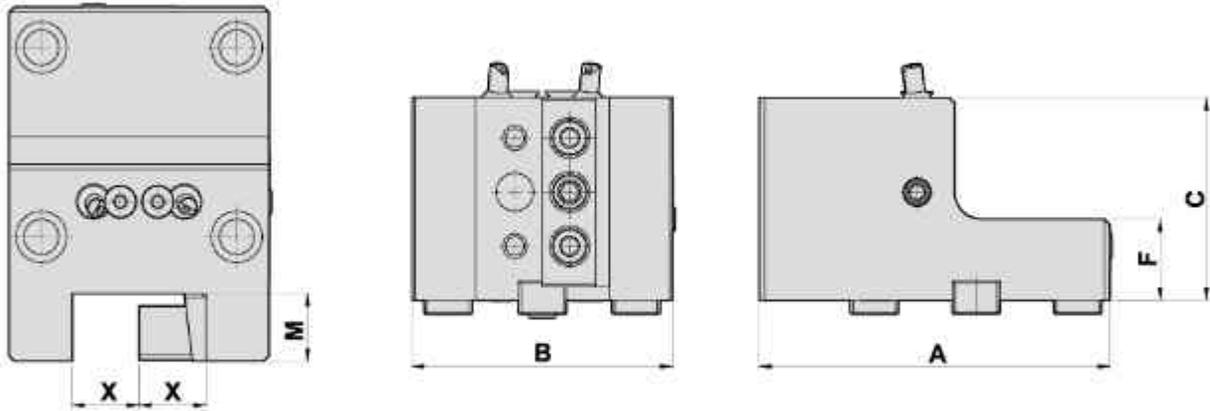
● External coolant supply 外部出水

Models		X	A	B	C	F	M	Code No.	Order No.	(Kg) Weight
BMT45	mm	20	105	75	60	30	20	405001-000	DW220-C20-60	2.4
	inch	0.75"	4.13"	2.95"	2.36"	1.18"	0.75"	4E1001-000	DW220-C19.05-60	2.4
BMT45	mm	20	105	75	80	30	20	405001002-000	DW220-C20-80	3
	inch	-	-	-	-	-	-	-	-	-
BMT55	mm	16	115.5	86	80	30	16	404003-000	DW230-C16-80	4
	inch	-	-	-	-	-	-	-	-	-
BMT55	mm	20	115.5	86	60	30	20	405005-000	DW230-C20-60	3.1
	inch	0.75"	4.55"	3.39"	2.36"	1.18"	0.75"	4E1005-000	DW230-C19.05-60	3.1
BMT55	mm	-	-	-	-	-	-	-	-	-
	inch	0.75"	4.55"	3.39"	2.76"	1.18"	0.75"	4E1004-000	DW230-C19.05-70	3.5
BMT55	mm	20	115.5	86	80	30	20	405006-000	DW230-C20-80	3.8
	inch	-	-	-	-	-	-	-	-	-
BMT55	mm	20	115.5	86	85	30	20	40500W-000	DW230-C20-85	4
	inch	-	-	-	-	-	-	-	-	-
BMT55	mm	-	-	-	-	-	-	-	-	-
	inch	1"	4.74"	3.54"	2.76"	1.18"	1"	4F100F-000	DW230-C25.4-70	3.7
BMT55	mm	25	120.5	90	80	30	25	40600C-000	DW230-C25-80	4
	inch	1"	4.74"	3.54"	3.15"	1.18"	1"	4F100G-000	DW230-C25.4-80	3.7
BMT55	mm	25	116	90	90	30	25	40600G-000	DW230-C25-90	4.3
	inch	-	-	-	-	-	-	-	-	-
BMT65	mm	25	131	97	75	30	25	406003-000	DW300-C25-75	4.6
	inch	1"	5.16"	3.82"	2.95"	1.18"	1"	4F1002-000	DW300-C25.4-75	4.3
BMT65	mm	25	131	97	120	35	25	406001008-000	DW300-C25-120	6.7
	inch	1"	5.16"	3.82"	4.72"	1.38"	1"	4F100D-000	DW300-C25.4-120	6.7

TURNING HOLDER

TYPE KOREA SERIES BMT

外徑刀座



DIMENSIONS

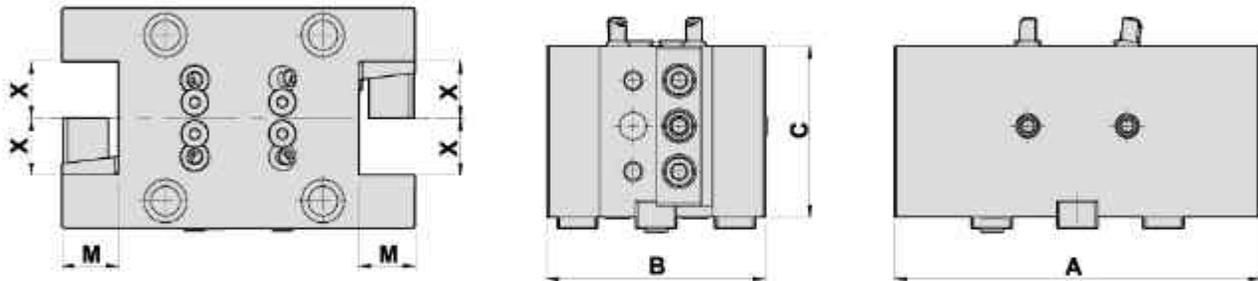
● External coolant supply 外部出水

Models		X	A	B	C	F	M	Code No.	Order No.	(Kg) Weight
BMT75	mm	25	145.5	112	85	35	25	406001002-000	DW350-C25-85	7.3
	inch	-	-	-	-	-	-	-	-	-
BMT75	mm	25	145.5	112	100	30	25	406006-000	DW350-C25-100	9
	inch	1"	5.73"	4.41"	3.94"	1.18"	1"	4F1006-000	DW350-C25.4-100	9
BMT75	mm	25	170.5	112	100	35	100	40600A-000	DW350-C25-100-L	9.7
	inch	-	-	-	-	-	-	-	-	-
BMT75	mm	32	153	120	85	35	32	407005-000	DW350-C32-85	8.5
	inch	1.25"	6.02"	4.72"	3.35"	1.38"	1.25"	4G1006-000	DW350-C31.75-85	8.5
BMT75	mm	-	-	-	-	-	-	-	-	-
	inch	1.25"	5.32"	4.72"	3.35"	1.38"	1.25"	4G1008-000	DW350-C31.75-85-S	8
BMT75	mm	32	153	120	100	35	32	407004-000	DW350-C32-100	9.6
	inch	1.25"	6.02"	4.72"	3.94"	1.38"	1.25"	4G1004-000	DW350-C31.75-100	9.6
BMT85	mm	32	174	124	75	40	32	407003-000	DW700-C32-75	9.2
	inch	1.25"	6.77"	4.88"	2.95"	1.57"	1.25"	4G1003-000	DW700-C31.75-75	9.2
BMT85	mm	32	168.5	124	90	35	32	407001-000	DW700-C32-90	9.8
	inch	1.25"	6.63"	4.88"	3.54"	1.38"	1.25"	4G1001-000	DW700-C31.75-90	9.8
BMT85	mm	32	168.5	124	120	50	32	407002-000	DW700-C32-120	13.2
	inch	1.25"	6.63"	4.88"	4.72"	1.97"	1.25"	4G1002-000	DW700-C31.75-120	13.2

DOUBLE SIDE TURNING HOLDER

TYPE KOREA SERIES BMT

雙側外徑刀座

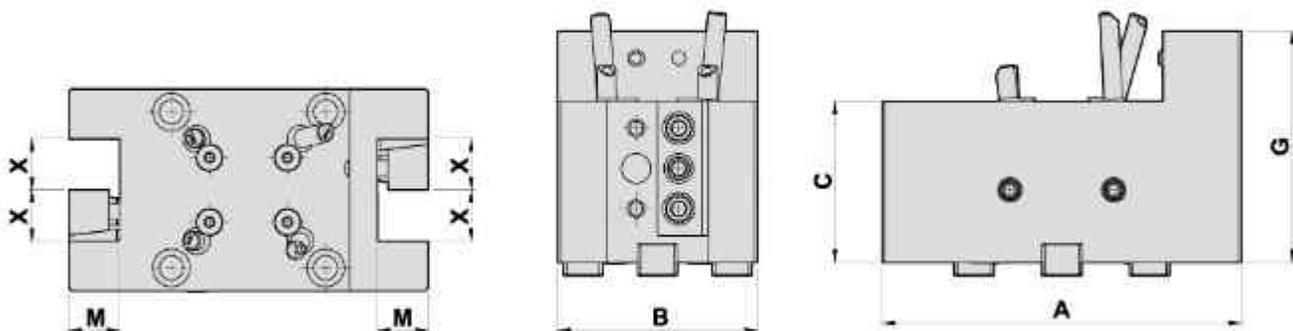


DIMENSIONS

Models		X	A	B	C	M	Code No.	Order No.	(Kg) Weight
BMT45	mm	20	131	75	60	20	405004-000	DW220-C20x2-60	4
	inch	0.75"	5.16"	2.95"	2.36"	0.75"	4E1002-000	DW220-C19.05x2-60	4
BMT55	mm	20	141	86	55	20	40500T-000	DW230-C20x2-55	4.7
	inch	-	-	-	-	-	-	-	-
BMT55	mm	20	141	86	60	20	40500L-000	DW230-C20x2-60	4.9
	inch	0.75"	5.55"	3.38"	2.36"	0.75"	4E100D-000	DW230-C19.05x2-60	5.1
BMT55	mm	25	152	90	80	25	40600M-000	DW230-C25x2-80	7.3
	inch	1"	5.98"	3.54"	3.15"	1"	4F100N-000	DW230-C25.4x2-80	7.3
BMT65	mm	25	162	97	75	25	406007-000	DW300-C25x2-75	7.9
	inch	1"	6.38"	3.82"	2.95"	1"	4F1007-000	DW300-C25.4x2-75	7.9

DOUBLE SIDE TURNING HOLDER

雙側外徑刀座



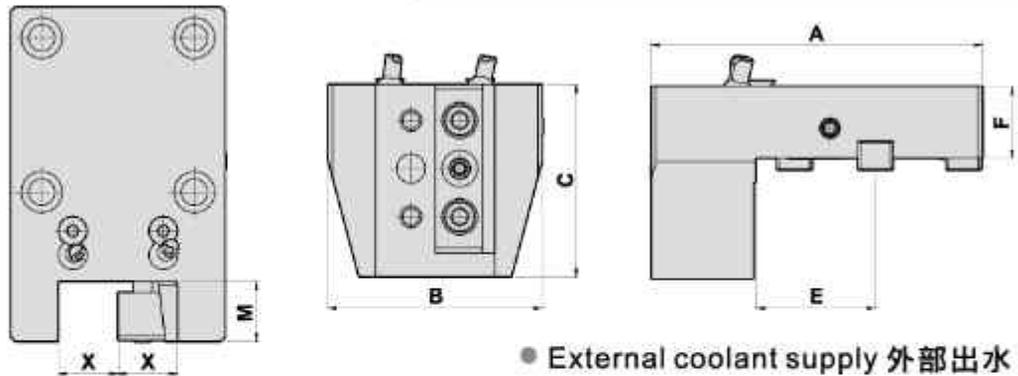
DIMENSIONS

Models		X	A	B	C	G	M	Code No.	Order No.	(Kg) Weight
BMT45	mm	20	135	75	60	86	20	40500C-000	DW220-C20x2-86	4.3
	inch	0.75"	5.32"	2.95"	2.36"	3.39"	0.75"	4E100A-000	DW220-C19.05x2-86	4.3

TURNING HOLDER

TYPE KOREA SERIES BMT

外徑刀座



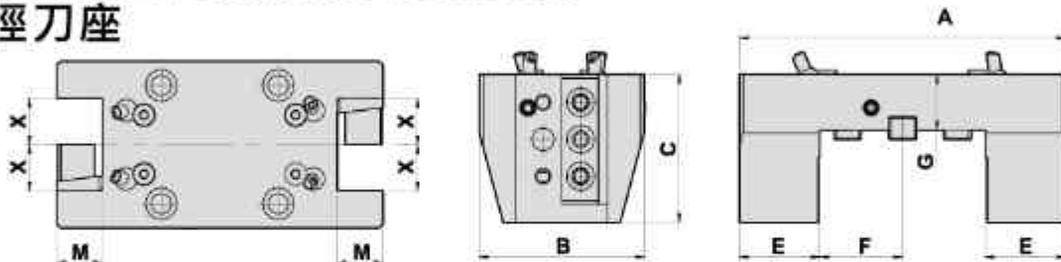
DIMENSIONS

● External coolant supply 外部出水

Models		X	A	B	C	E	F	M	Code No.	Order No.	(Kg) Weight
BMT45	mm	20	110	76	55	39	35	20	40500N-000	DW220-C20-35-W77	2.3
	inch	0.75"	4.33"	2.99"	2.16"	1.53"	1.37"	0.75"	4E100G-000	DW220-C19.05-35-W77	2.3
BMT45	mm	25	120	86	70	39	35	25	40600R-000	DW220-C25-35-W77	3
BMT55	mm	20	133	86	55	50.5	30	20	405002-000	DW230-C20-30-W100	2.9
	inch	-	-	-	-	-	-	-	-	-	-
BMT55	mm	20	128	86	55	45.5	30	20	405010-000	DW230-C20-30-W90	2.7
	inch	-	-	-	-	-	-	-	-	-	-
BMT55	mm	25	138	90	80	50.5	30	25	406001-000	DW230-C25-30-W100	3.3
	inch	1"	5.43"	3.54"	3.15"	1.99"	1.18"	1"	4F1005-000	DW230-C25.4-30-W100	3.3
BMT55	mm	25	135	90	70	45.5	30	25	406002-000	DW230-C25-30-W90	3.3
	inch	1"	5.32"	3.54"	2.76"	1.79"	1.18"	1"	4F1008-000	DW230-C25.4-30-W90	3.3
BMT65	mm	25	141	97	80	50.5	40	25	406004-000	DW300-C25-40-W100	4.5
	inch	1"	5.55"	3.82"	3.15"	1.99"	1.58"	1"	4F1003-000	DW300-C25.4-40-W100	4.5
BMT65	mm	25	146	97	80	55.5	40	25	406005-000	DW300-C25-40-W110	4.8
	inch	1"	5.75"	3.82"	3.15"	2.19"	1.58"	1"	4F100B-000	DW300-C25.4-40-W110	4.8
BMT75	mm	25	171	112	80	60.5	60	25	40600E-000	DW350-C25-60-W120	8.8
	inch	-	-	-	-	-	-	-	-	-	-
BMT75	mm	32	171	120	90	60.5	50	32	407010-000	DW350-C32-50-W120	8.3
	inch	-	-	-	-	-	-	-	-	-	-

DOUBLE SIDE TURNING HOLDER

雙側外徑刀座



DIMENSIONS

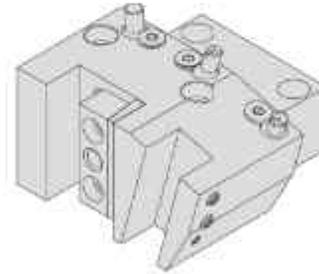
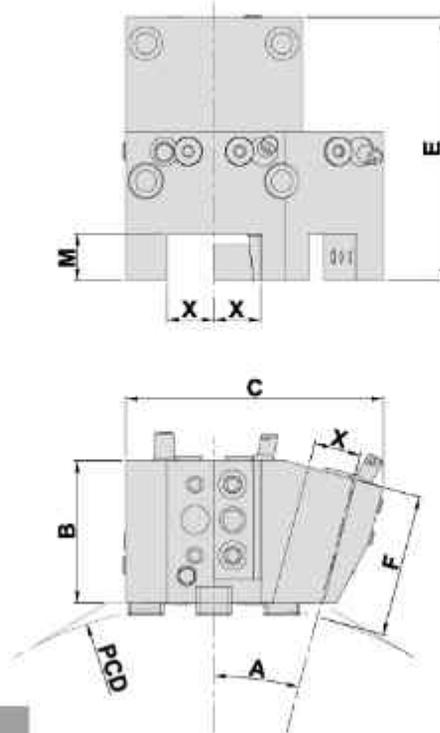
● External coolant supply 外部出水

Models		X	A	B	C	E	F	G	M	Code No.	Order No.	(Kg) Weight
BMT55	mm	20	160	86	55	34.5	45.5	30	20	405008-000	DW230-C20x2-30-W90	3.8
BMT55	mm	20	176	86	55	37.5	50.5	30	20	405003-000	DW230-C20x2-30-W100	4.1
BMT55	mm	20	160	86	65	34.5	45.5	40	20	405009-000	DW230-C20x2-40-W90	4.6
BMT55	mm	25	188	90	80	44	50.5	30	25	406008-000	DW230-C25x2-30-W100	5
BMT55	inch	1"	7.4"	3.54"	2.95"	1.73"	1.99"	1.18"	1"	4F1010-000	DW230-C25.4x2-30-W100	4.7
BMT55	mm	25	178	90	80	44	45.5	30	25	406010-000	DW230-C25x2-30-W90	5
BMT55	inch	1"	7.0"	3.54"	3.14"	1.73"	1.79"	1.18"	1"	4F1009-000	DW230-C25.4x2-30-W90	5
BMT65	mm	25	182	97	70	40.5	50.5	40	25	40600N-000	DW300-C25x2-40-W100	6

TURNING HOLDER

TYPE KOREA SERIES BMT

外徑刀座



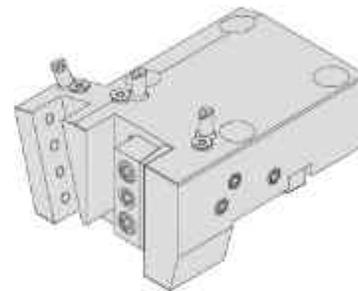
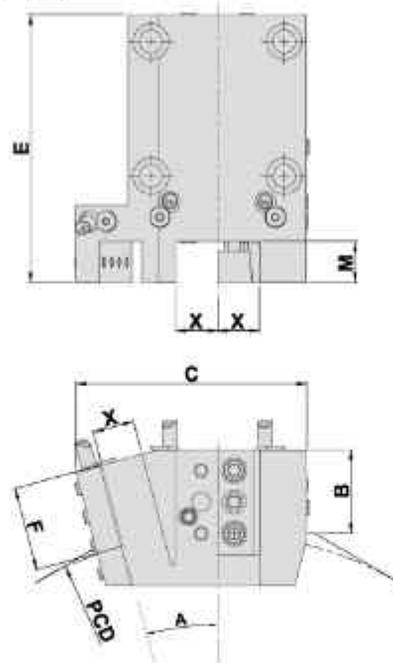
DIMENSIONS

● External coolant supply 外部出水

Models	A	X	B	C	E	F	M	PCD	Code No.	Order No.	(Kg) Weight
BMT45	15°	20	60	110	111	60	20	340	40500B-000	DW220-C20x2-60-24	3.1

TURNING HOLDER

外徑刀座



DIMENSIONS

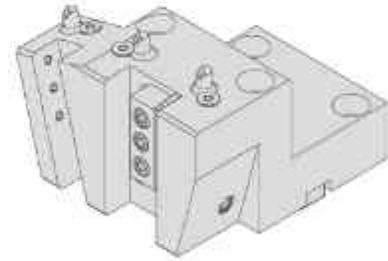
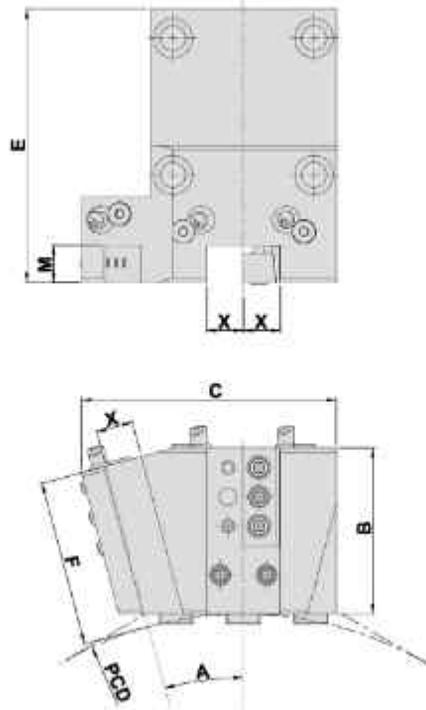
● External coolant supply 外部出水

Models	A	X	B	C	E	F	M	PCD	Code No.	Order No.	(Kg) Weight
BMT55	15°	20	40	111	128	40	20	350	40500K-000	DW230-C20x2-40-W90-24	3.9
BMT55	15°	19.05	35	113	136	35	19.05	350	4E1007-000	DW230-C19.05x2-35-W90	3.9
BMT55	15°	19.05	85	132	140	85	19.05	380	4E1003-000	DW300-C19.05x2-85	5.7

TURNING HOLDER

TYPE KOREA SERIES BMT

外徑刀座

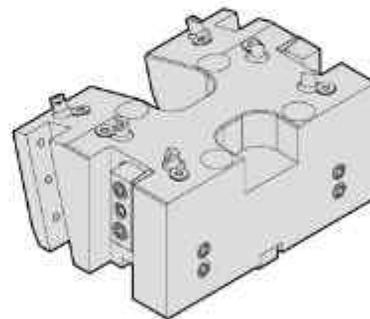
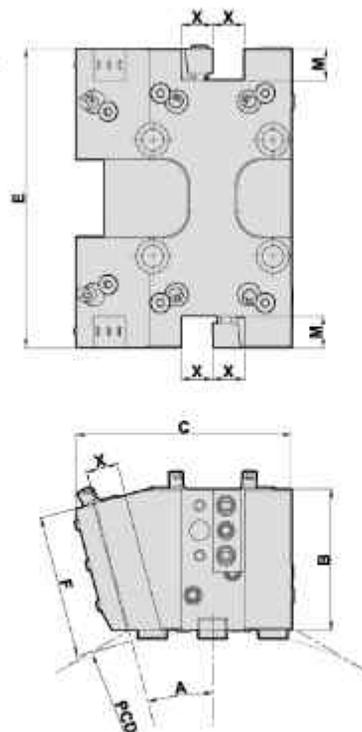


DIMENSIONS

• External coolant supply 外部出水

Models	A	X	B	C	E	F	M	PCD	Code No.	Order No.	(Kg) Weight
BMT55	15°	20	55	115	134	55	20	350	40500M-000	DW230-C20x2-55-24	3.9
BMT55	15°	19.05	55	115	134	55	19.05	350	4E1008-000	DW230-C19.05x2-55-24	3.9
BMT65	15°	20	85	132	140	85	20	380	40500V-000	DW300-C20x2-85-24	6
BMT65	15°	19.05	85	132	140	85	19.05	380	4E1003-000	DW300-C19.05x2-85	6

TURNING HOLDER 外徑刀座



DIMENSIONS

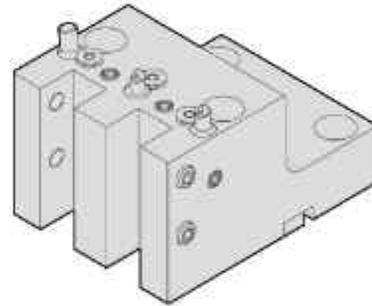
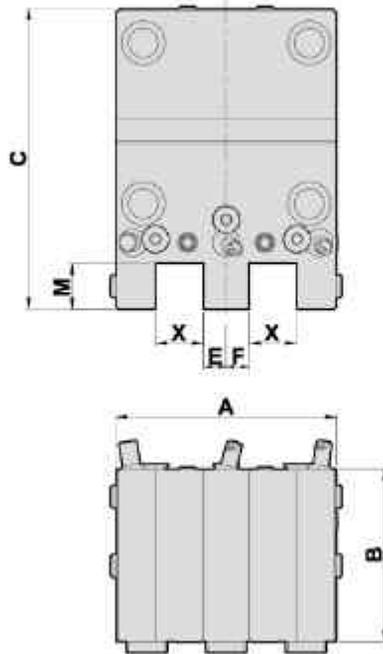
• External coolant supply 外部出水

Models	A	X	B	C	E	F	M	PCD	Code No.	Order No.	(Kg) Weight
BMT65	15°	19.05	85	131	180	85	19.05	380	4E100C-000	DW300-C19.05x4-85-24	10.9

TURNING HOLDER

TYPE KOREA SERIES BMT

外徑刀座



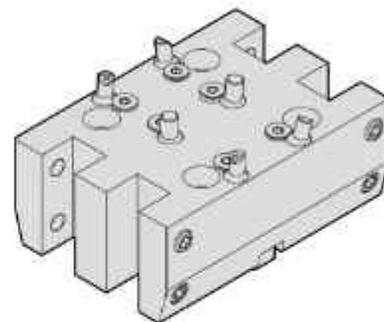
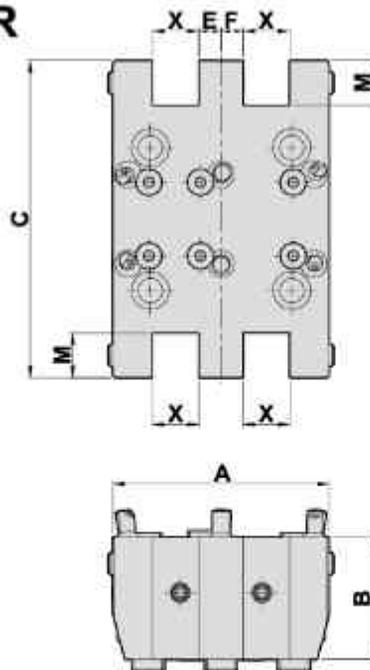
DIMENSIONS

● External coolant supply 外部出水

Models	X	A	B	C	E	F	M	Code No.	Order No.	(Kg) Weight
BMT55	17	86	75	122	10	10	16	404004-000	DW230-C16x2-75Y	4
BMT55	26	105	75	122	10	10	25	40600K-000	DW230-C25x2-75Y	4
BMT65	21	97	75	131	10	10	20	40500H-000	DW300-C20x2-75Y	4.8

TURNING HOLDER

外徑刀座



DIMENSIONS

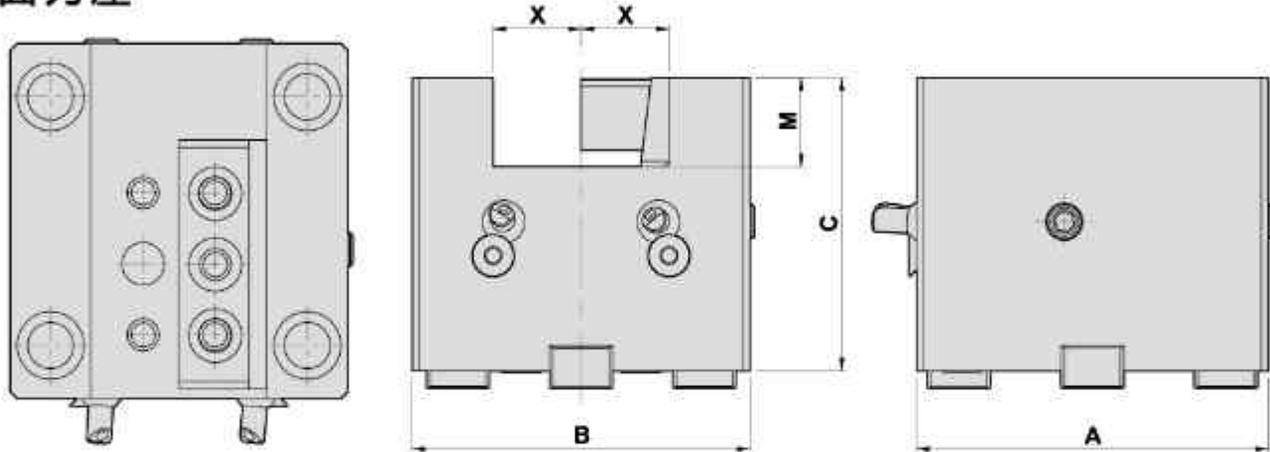
● External coolant supply 外部出水

Models	X	A	B	C	E	F	M	Code No.	Order No.	(Kg) Weight
BMT45	16.5	84	60	123	10	10	16	404001-000	DW220-C16x4-60Y	4.1
BMT55	21	98	55	142	10	10	20	40500Q-000	DW230-C20x4-55Y	4.9
BMT55	26	105	76	160	10	10	25	40600H-000	DW230-C25x4-76	6.7
BMT55	27	105	76	160	9.525	9.525	25.4	4F1004-000	DW230-C25.4x4-76	6.6

FACING HOLDER

TYPE KOREA SERIES BMT

端面刀座



DIMENSIONS

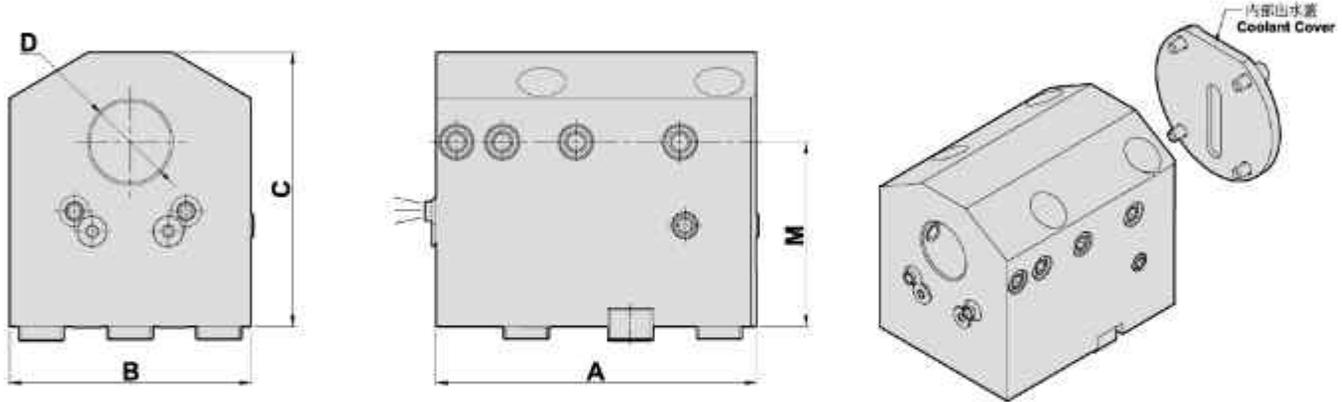
● External coolant supply 外部出水

Models		X	A	B	C	M	Code No.	Order No.	(Kg) Weight
BMT45	mm	20	86	75	80	20	505001-000	DW220-F20-80	3.4
	inch	0.75"	3.39"	2.95"	3.15"	0.75"	5E1001-000	DW220-F19.05-80	3.4
BMT55	mm	16	95	86	70	16	504001-000	DW230-F16-70	3.9
BMT55	mm	20	95	86	60	20	505005-000	DW230-F20-60	3.2
BMT55	mm	20	95	86	70	20	505002-000	DW230-F20-70	3.7
	inch	0.75"	3.74"	3.39"	2.76"	0.75"	5E1002-000	DW230-F19.05-70	3.9
BMT55	mm	20	95	86	105	20	505003-000	DW230-F20-105	6.1
BMT55	mm	25	95	92	60	25	506001-000	DW230-F25-60	3.1
	inch	1"	3.74"	3.62"	2.36"	1"	5F1001-000	DW230-F25.4-60	3.1
BMT55	mm	-	-	-	-	-	-	-	-
	inch	1"	3.74"	3.62"	2.76"	1"	5F1005-000	DW230-F25.4-70	3.6
BMT55	mm	25	95	92	80	25	506008-000	DW230-F25-80	4.5
	inch	-	-	-	-	-	-	-	-
BMT55	mm	25	90	90	108	25	506009-000	DW230-F25-108	5.3
	inch	-	-	-	-	-	-	-	-
BMT65	mm	25	100	96	65	25	50600D-000	DW300-F25-65	3.9
BMT65	mm	25	100	96	82.5	25	506002-000	DW300-F25-82	4.9
	inch	1"	3.94"	3.78"	3.25"	1"	5F1002-000	DW300-F25.4-82	4.9
BMT65	mm	25	100	96	105	25	50600C-000	DW300-F25-105	6.5
	inch	1"	3.94"	3.78"	4.13"	1"	5F1006-000	DW300-F25.4-105	6.5
BMT65	mm	25	100	94	120	25	506006-000	DW300-F25-120	7.3
	inch	1"	3.94"	3.70"	4.72"	1"	5F1003-000	DW300-F25.4-120	7.3
BMT65	mm	32	100	100	82.5	32	507007-000	DW300-F32-82	5.7
BMT75	mm	25	120	112	122	25	506004-000	DW350-F25-122	11
	inch	1"	4.72"	4.41"	4.80"	1"	5F1004-000	DW350-F25.4-122	11
BMT75	mm	32	120	120	70	32	507004-000	DW350-F32-70	6.2
	inch	1.25"	4.72"	4.72"	4.80"	1.25"	5G1002-000	DW350-F31.75-122	10.8
BMT75	mm	32	120	120	122	32	507002-000	DW350-F32-122	11.6
	inch	1.25"	4.72"	4.72"	4.80"	1.25"	5G1002-000	DW350-F31.75-122	11.6
BMT85	mm	32	168.5	124	107	32	507003-000	DW700-F32-107	13
	inch	1.25"	6.63"	4.88"	4.21"	1.25"	5G1003-000	DW700-F31.75-107	13
BMT85	mm	32	168.5	124	138	32	507001-000	DW700-F32-138	17
	inch	1.25"	6.63"	4.88"	5.43"	1.25"	5G1001-000	DW700-F31.75-138	17

BORING BAR HOLDER

TYPE KOREA SERIES BMT

內孔刀座



DIMENSIONS

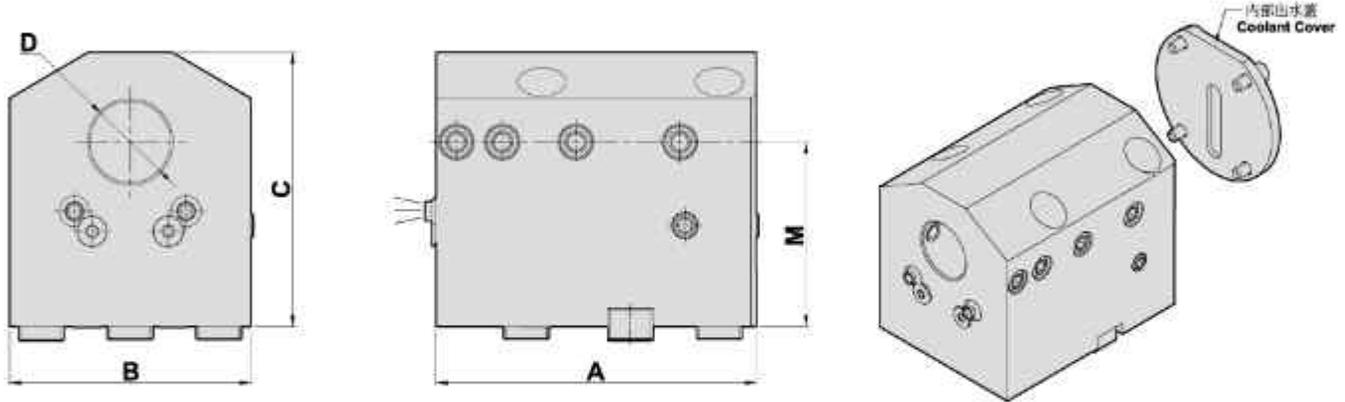
- External coolant supply 外部出水
- Internal coolant supply 内部出水

Models		D	A	B	C	M	Code No.	Order No.	(Kg) Weight
BMT45	mm	25	95	75	88	65	306001-000	DW220-B25-65	4.1
	inch	1"	3.74"	2.95"	3.46"	2.559"	3F1001-000	DW220-B25.4-65	4.1
BMT45	mm	32	95	75	65	40	307001003-000	DW220-B32-40	2.6
	inch	-	-	-	-	-	-	-	-
BMT45	mm	32	95	75	90	65	307006-000	DW220-B32-65	4
	inch	1.25"	3.74"	2.95"	3.54"	2.559"	3G1004-000	DW220-B31.75-65	4
BMT45	mm	32	95	75	110	85	30700B-000	DW220-B32-85	5
	inch	-	-	-	-	-	-	-	-
BMT45	mm	32	95	75	125	100	30700F-000	DW220-B32-100	5.8
	inch	-	-	-	-	-	-	-	-
BMT45	mm	40	95	75	95	65	30800G-000	DW220-B40-65	3.9
	inch	-	-	-	-	-	-	-	-
BMT55	mm	32	105	86	90	60	307001-000	DW230-B32-60	4.9
	inch	1.25"	4.13"	3.385"	3.54"	2.362"	3G1001-000	DW230-B31.75-60	4.9
BMT55	mm	32	105	86	100	70	307005-000	DW230-B32-70	5.5
	inch	1.25"	4.13"	3.385"	3.94"	2.755"	3G1005-000	DW230-B31.75-70	5.9
BMT55	mm	32	105	86	109	80	307007-000	DW230-B32-80	6.2
	inch	-	-	-	-	-	-	-	-
BMT55	mm	32	105	86	115	85	30700T-000	DW230-B32-85	7
	inch	1.25"	4.13"	3.385"	4.53"	3.346"	3G1003-000	DW230-B31.75-85	7
BMT55	mm	32	105	86	120	90	30700U-000	DW230-B32-90	7.3
	inch	-	-	-	-	-	-	-	-
BMT55	mm	32	105	86	130	100	307001002-000	DW230-B32-100	7.3
	inch	-	-	-	-	-	-	-	-
BMT55	mm	32	105	86	139	110	30700H-000	DW230-B32-110	8.3
	inch	-	-	-	-	-	-	-	-
BMT55	mm	32	110	86	141	115	30700N-000	DW230-B32-115	9.2
	inch	-	-	-	-	-	-	-	-

BORING BAR HOLDER

TYPE KOREA SERIES BMT

内孔刀座



DIMENSIONS

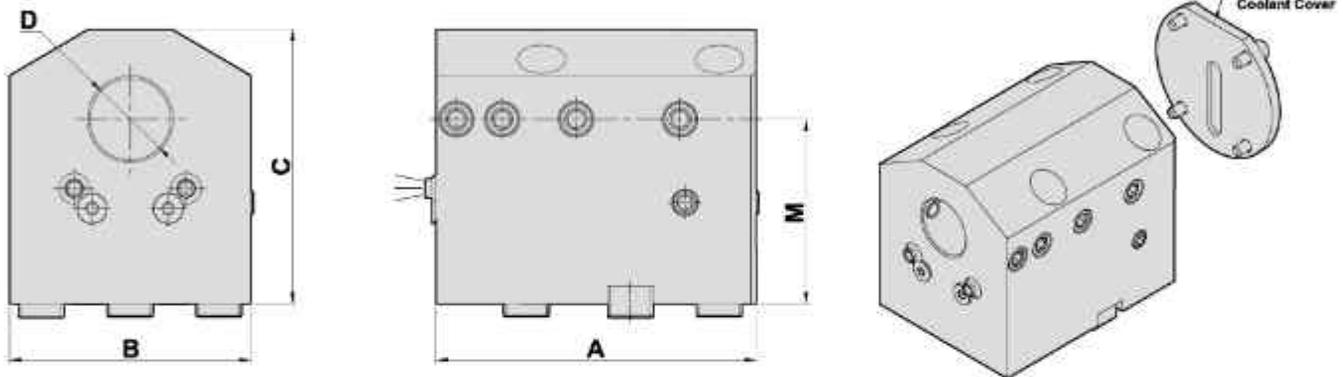
- External coolant supply 外部出水
- Internal coolant supply 内部出水

Models		D	A	B	C	M	Code No.	Order No.	(Kg) Weight
BMT55	mm	40	105	86	90	60	308001-000	DW230-B40-60	4.5
	inch	1.5"	4.13"	3.385"	3.54"	2.362"	3H1001-000	DW230-B38.1-60	4.8
BMT55	mm	40	105	86	100	70	308009-000	DW230-B40-70	5.3
	inch	1.5"	4.13"	3.385"	3.94"	2.755"	3H1009-000	DW230-B38.1-70	5.6
BMT55	mm	-	-	-	-	-	-	-	-
	inch	1.5"	4.13"	3.385"	4.33"	3.149"	3H1006-000	DW230-B38.1-80	6.1
BMT55	mm	40	105	86	115	85	30800D-000	DW230-B40-85	6.2
	inch	1.5"	4.13"	3.385"	4.53"	3.346"	3H1008-000	DW230-B38.1-85	6.4
BMT55	mm	40	105	86	140	110	30800V-000	DW230-B40-110	7.3
	inch	-	-	-	-	-	-	-	-
BMT55	mm	40	105	86	145	115	30800B-000	DW230-B40-115	8.2
	inch	-	-	-	-	-	-	-	-
BMT55	mm	40	90	86	145	115	30800H-000	DW230-B40-115-S	5.9
	inch	-	-	-	-	-	-	-	-
BMT55	mm	-	-	-	-	-	-	-	-
	inch	2"	4.13"	3.385"	4.13"	2.952"	3I100C-000	DW230-B50.8-75	5
BMT55	mm	-	-	-	-	-	-	-	-
	inch	2"	4.13"	3.385"	4.92"	3.346"	3I1007-000	DW230-B50.8-85	5.8

BORING BAR HOLDER

TYPE KOREA SERIES BMT

内孔刀座



DIMENSIONS

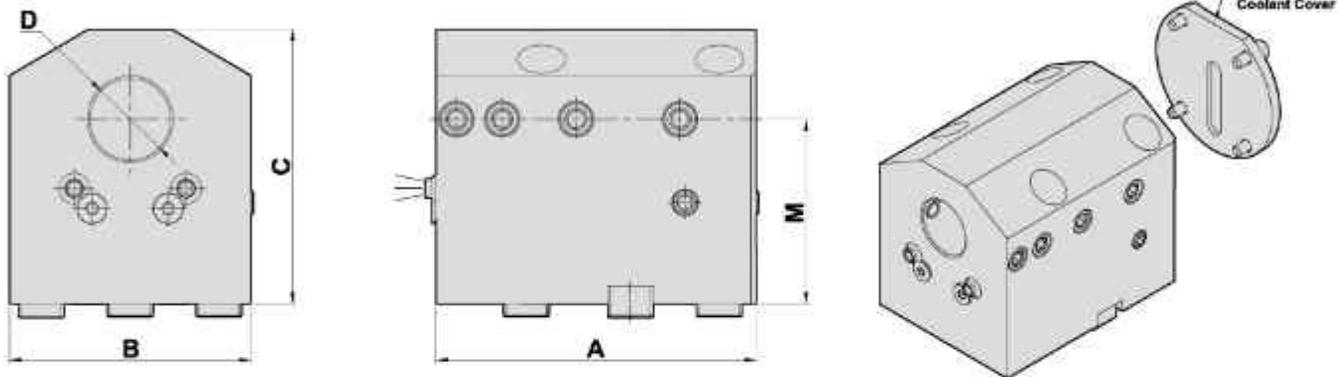
- External coolant supply 外部出水
- Internal coolant supply 内部出水

Models		D	A	B	C	M	Code No.	Order No.	(Kg) Weight
BMT65	mm	25	126	95	150	115	306002-000	DW300-B25-115	12.3
	inch	-	-	-	-	-	-	-	-
BMT65	mm	32	126	95	112	72	307003-000	DW300-B32-72	8
	inch	1.25"	4.96"	3.74"	4.41"	2.834"	3G1002-000	DW300-B31.75-72	8
BMT65	mm	40	126	95	100	60	308005-000	DW300-B40-60	6.6
	inch	-	-	-	-	-	-	-	-
BMT65	mm	40	126	95	105	65	308010-000	DW300-B40-65	7.5
	inch	-	-	-	-	-	-	-	-
BMT65	mm	40	126	95	112	72	308002-000	DW300-B40-72	7.7
	inch	1.5"	4.96"	3.74"	4.41"	2.834"	3H1002-000	DW300-B38.1-72	7.7
BMT65	mm	40	126	95	120	85	308003-000	DW300-B40-85	8.6
	inch	1.5"	4.96"	3.74"	4.72"	3.346"	3H1004-000	DW300-B38.1-85	8.6
BMT65	mm	40	126	95	125	90	30800K-000	DW300-B40-90	9.9
	inch	-	-	-	-	-	-	-	-
BMT65	mm	40	126	95	140	100	308004-000	DW300-B40-100	11
	inch	1.5"	4.96"	3.74"	5.51"	3.937"	3H1005-000	DW300-B38.1-100	11
BMT65	mm	40	126	95	145	105	308006-000	DW300-B40-105	10.8
	inch	-	-	-	-	-	-	-	-
BMT65	mm	40	126	95	155	115	308007-000	DW300-B40-115	11.3
	inch	-	-	-	-	-	-	-	-
BMT65	mm	-	-	-	-	-	-	-	-
	inch	1.5"	4.96"	3.74"	6.3"	4.724"	3H1007-000	DW300-B38.1-120	12
BMT65	mm	40	126	95	159	125	308001002-000	DW300-B40-125	11.8
	inch	-	-	-	-	-	-	-	-
BMT65	mm	50	126	95	116	72	309002-000	DW300-B50-72	7.2
	inch	2"	4.96"	3.74"	4.57"	2.834"	3I1002-000	DW300-B50.8-72	7.2
BMT65	mm	50	126	95	122	85	30900E-000	DW300-B50-85	8.6
	inch	2"	4.96"	3.74"	4.80"	3.346"	3I100A-000	DW300-B50.8-85	8.6
BMT65	mm	50	126	95	132	90	309001-000	DW300-B50-90	9.1
	inch	2"	4.96"	3.74"	5.2"	3.543"	3I1001-000	DW300-B50.8-90	9.1
BMT65	mm	50	126	95	144	100	309006-000	DW300-B50-100	10.2
	inch	-	-	-	-	-	-	-	-
BMT65	mm	50	126	95	153	115	30900H-000	DW300-B50-115	11.5
	inch	2"	4.96"	3.74"	6.02"	4.527"	3I1010-000	DW300-B50.8-115	11.5
BMT65	mm	50	126	95	202	160	30900F-000	DW300-B50-160	15.6
	inch	-	-	-	-	-	-	-	-

BORING BAR HOLDER

TYPE KOREA SERIES BMT

内孔刀座



DIMENSIONS

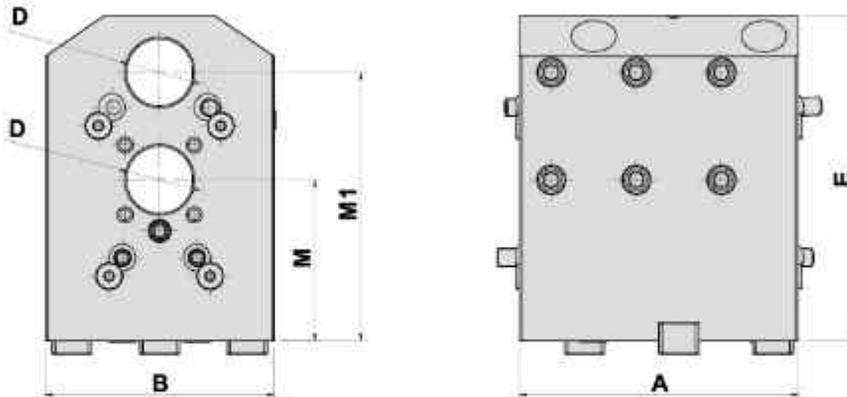
- External coolant supply 外部出水
- Internal coolant supply 内部出水

Models		D	A	B	C	M	Code No.	Order No.	(Kg) Weight
BMT75	mm	40	120	112	160	125	30800U-000	DW350-B40-125	13.2
	inch	-	-	-	-	-	-	-	-
BMT75	mm	50	135	112	112	70	30900B-000	DW350-B50-70	10.2
	inch	-	-	-	-	-	-	-	-
BMT75	mm	50	120	112	130	90	309007-000	DW350-B50-90	13.1
	inch	2"	4.72"	4.41"	5.12"	3.543"	311004-000	DW350-B50.8-90	13.1
BMT75	mm	50	145	112	130	90	309008-000	DW350-B50-90-145	11.2
	inch	-	-	-	-	-	-	-	-
BMT75	mm	50	120	112	151	110	309003-000	DW350-B50-110	12
	inch	2"	4.72"	4.41"	5.94"	4.330"	311003-000	DW350-B50.8-110	12
BMT75	mm	50	120	112	166	125	309004-000	DW350-B50-125	12.7
	inch	2"	4.72"	4.41"	6.53"	4.921"	311006-000	DW350-B50.8-125	12.7
BMT75	mm	50	120	112	206	165	30900G-000	DW350-B50-165	16.8
	inch	2"	4.72"	4.41"	8.11"	6.496"	31100B-000	DW350-B50.8-165	16.8
BMT75	mm	-	-	-	-	-	-	-	-
	inch	2.5"	5.32"	4.41"	4.61"	2.755"	3J1007-000	DW350-B63.5-70	9.1
BMT75	mm	60	120	112	137	90	310004-000	DW350-B60-90	9.1
	inch	2.5"	4.72"	4.41"	5.39"	3.543"	3J1002-000	DW350-B63.5-90	9
BMT75	mm	60	120	112	160	110	310006-000	DW350-B60-110	11.8
	inch	2.5"	4.72"	4.41"	6.30"	4.330"	3J1001-000	DW350-B63.5-110	11.1
BMT75	mm	60	120	112	172	125	310005-000	DW350-B60-125	12.6
	inch	2.5"	4.72"	4.41"	6.77"	4.921"	3J1004-000	DW350-B63.5-125	12.2
BMT75	mm	-	-	-	-	-	-	-	-
	inch	3"	5.51"	4.41"	6.70"	4.330"	3K1004-000	DW350-B76.2-110-140	15.1
BMT85	mm	50	161.5	124	157	110	309005-000	DW700-B50-110	15.7
	inch	2"	6.36"	4.88"	6.18"	4.330"	311005-000	DW700-B50.8-110	15.7
BMT85	mm	60	161.5	124	157	110	310001-000	DW700-B60-110	16.1
	inch	2.5"	6.36"	4.88"	6.18"	4.330"	3J1003-000	DW700-B63.5-110	15.3
BMT85	mm	80	161.5	130	162	110	311001-000	DW700-B80-110	14.1
	inch	3"	6.36"	5.12"	6.38"	4.330"	3K1001-000	DW700-B76.2-110	14.8
BMT85	mm	80	161.5	130	170	115	311002-000	DW700-B80-115	20
	inch	3"	6.36"	5.12"	6.69"	4.527"	3K1002-000	DW700-B76.2-115	16
BMT85	mm	-	-	-	-	-	-	-	-
	inch	3"	6.36"	5.12"	8.54"	6.496"	3K1005-000	DW700-B76.2-165	22.8

DOUBLE BORING BAR HOLDER

TYPE KOREA SERIES BMT

雙內孔刀座



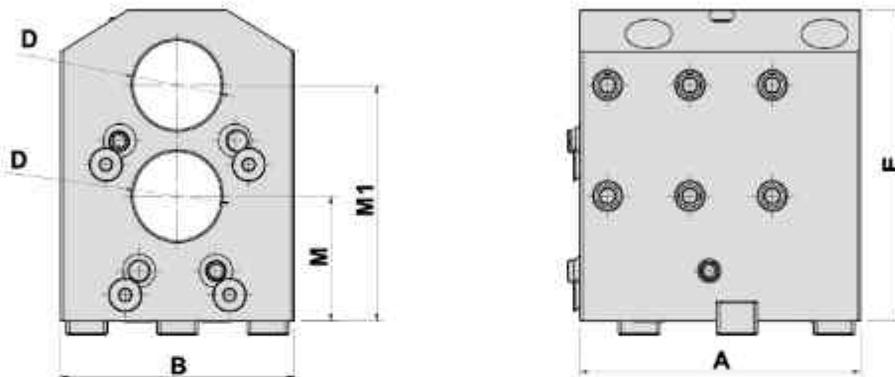
DIMENSIONS

- External coolant supply 外部出水
- Internal coolant supply 內部出水

Models		D	A	B	E	M	M1	Code No.	Order No.	(Kg) Weight
BMT55	mm	-	-	-	-	-	-	-	-	-
	inch	0.75"	3.54"	3.39"	4.21"	2.362"	3.543"	3E1002-000	DW230-B19.05x2-90	3.6
BMT55	mm	25	105	86	121	60	100	306003-000	DW230-B25x2-100	7
	inch	1"	4.133"	3.39"	4.76"	2.362"	3.937"	3F1006-000	DW230xB25.4x2-100	7
BMT65	mm	25	126	95	127	65	105	306005-000	DW300-B25x2-105	9.8
	inch	1"	4.96"	3.74"	5"	2.559"	4.133"	3F1009-000	DW300-B25.4x2-105	9.8
BMT65	mm	-	-	-	-	-	-	-	-	-
	inch	1"	4.96"	3.74"	5.75"	3.346"	4.724"	3F1003-000	DW300-B25.4x2-120	11.2

DOUBLE BORING BAR HOLDER

雙內孔刀座



DIMENSIONS

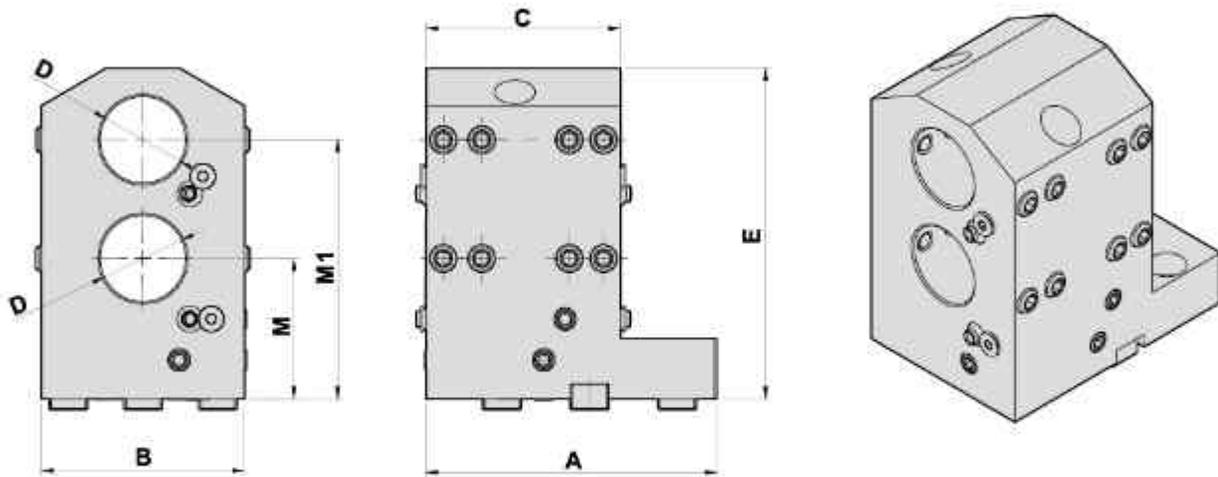
- External coolant supply 外部出水
- Internal coolant supply 內部出水

Models		D	A	B	E	M	M1	Code No.	Order No.	(Kg) Weight
BMT45	mm	20	95	75	106	65	90	305001-000	DW220-B20x2-90	4.5
	inch	0.75"	3.74"	2.95"	4.17"	2.559"	3.543"	3E1001-000	DW220-B19.05x2-90	4.5
BMT45	mm	25	95	75	113	55	90	306010-000	DW220-B25x2-90	4.5
	inch	-	-	-	-	-	-	-	-	-
BMT55	mm	32	102	85	112	45	85	307008-000	DW230-B32x2-85	5.6
	inch	-	-	-	-	-	-	-	-	-

DOUBLE BORING BAR HOLDER

TYPE KOREA SERIES BMT

雙內孔刀座



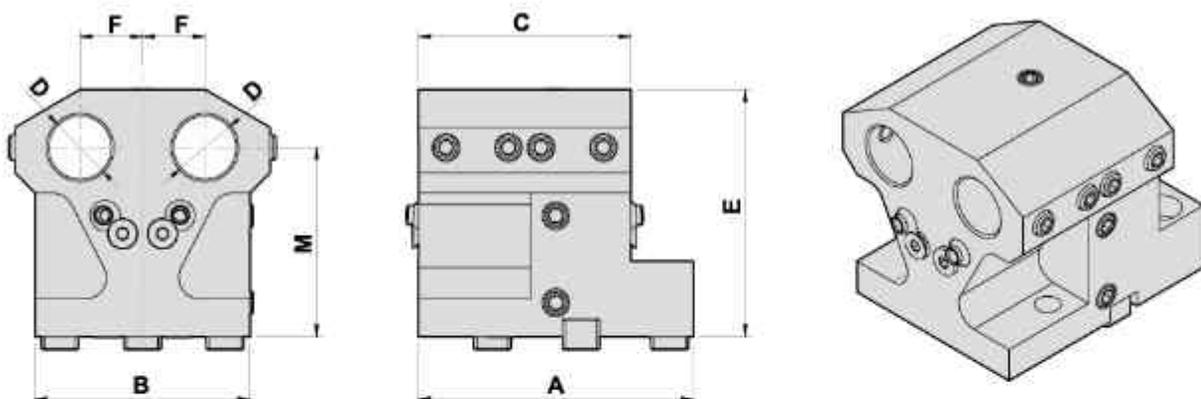
DIMENSIONS

● External coolant supply 外部出水

Models		D	A	B	C	E	M	M1	Code No.	Order No.	(Kg) Weight
BMT65	mm	40	136	95	91	153	65	120	30800C-000	DW300-B40x2-120-S	8.6
	inch	-	-	-	-	-	-	-	-	-	-

DOUBLE BORING BAR HOLDER

雙內孔刀座



● External coolant supply 外部出水
● Internal coolant supply 內部出水

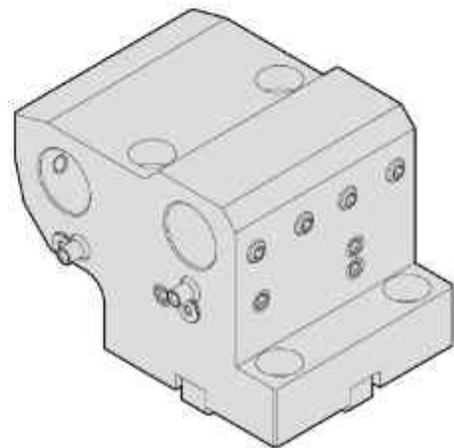
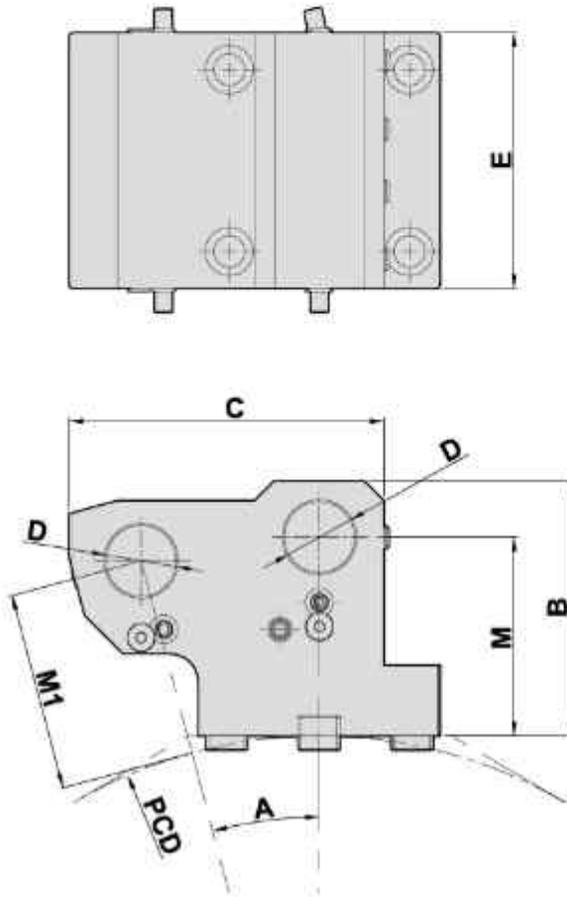
DIMENSIONS

Models		D	A	B	C	E	M	F	Code No.	Order No.	(Kg) Weight
BMT55	mm	25	110	86	85	98	75	25	306008-000	DW230-B25x2-75-Y	4.7
	inch	-	-	-	-	-	-	-	-	-	-
BMT65	mm	32	126	107	85	120	85	25	30700J-000	DW300-B32x2-85-Y	7.5
	inch	-	-	-	-	-	-	-	-	-	-

DOUBLE BORING BAR HOLDER

TYPE KOREA SERIES BMT

雙內孔刀座



DIMENSIONS

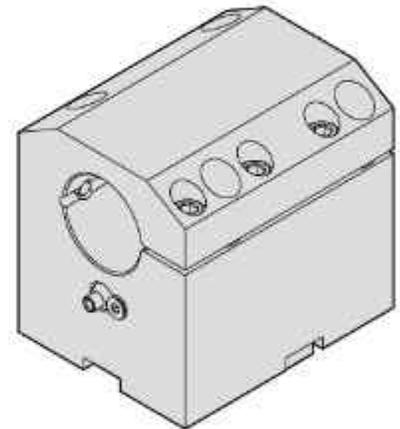
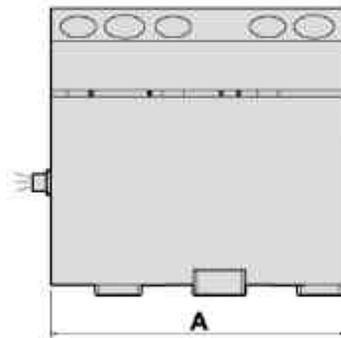
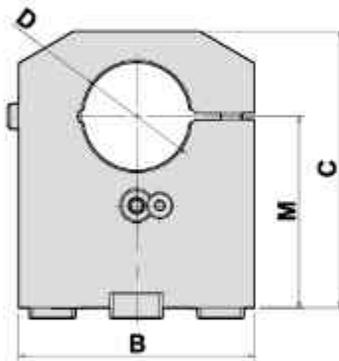
● External coolant supply 外部出水

Models	D	A	B	C	E	M	M1	PCD	Code No.	Order No.	(Kg) Weight
BMT55	20	15°	100	109	90	80	80	350	305003-000	DW230-B20x2-80-24	5.6
BMT55	19.05	15°	100	109	90	80	80	350	3E1003-000	DW230-B19.05x2-80-24	5.6
BMT55	25	15°	90	112	90	70	70	350	30601B-000	DW230-B25x2-70-24	5.1
BMT55	25.4	15°	92	112	90	72	72	350	3F1005-000	DW230-B25.4x2-72	5.3
BMT65	25	15°	92	118	100	72	72	380	306007-000	DW300-B25x2-72	6
BMT65	25.4	15°	92	118	100	72	72	380	3F1002-000	DW300-B25.4x2-72	6
BMT65	25.4	15°	105	118	100	85	85	380	3F1004-000	DW300-B25.4x2-85-24	7.2

BORING BAR HOLDER - SPLIT TYPE

TYPE KOREA SERIES BMT

內孔刀座-槽切型



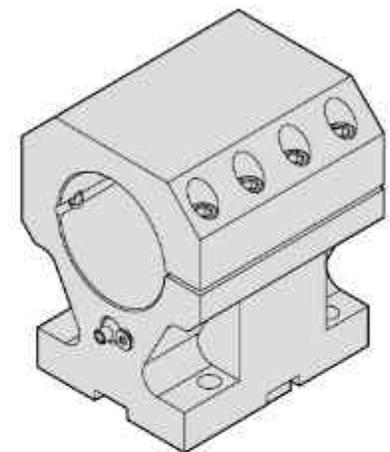
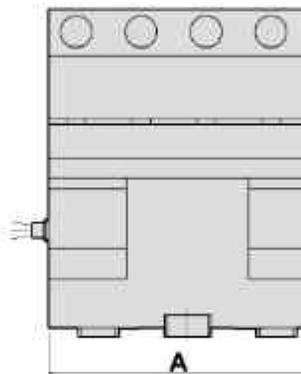
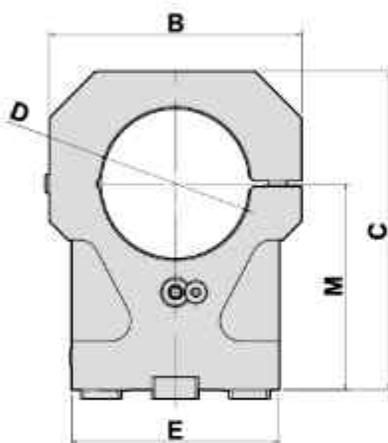
DIMENSIONS

● External coolant supply 外部出水

Models		D	A	B	C	M	Code No.	Order No.	(Kg) Weight
BMT75	mm	50	140	112	130	90	30900A-000	DW350-B50-90-T	12.6
	inch	2"	5.51"	4.41"	5.12"	3.54"	3I1008-000	DW350-B50.8-90-T	12.2
BMT75	mm	-	-	-	-	-	-	-	-
	inch	2.5"	5.51"	4.41"	5.51"	3.54"	3J1005-000	DW350-B63.5-90-T	12.1

BORING BAR HOLDER - SPLIT TYPE

內孔刀座-槽切型



DIMENSIONS

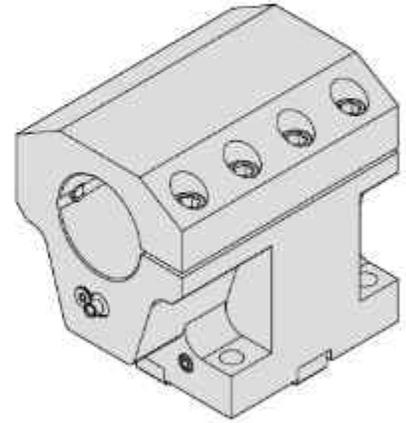
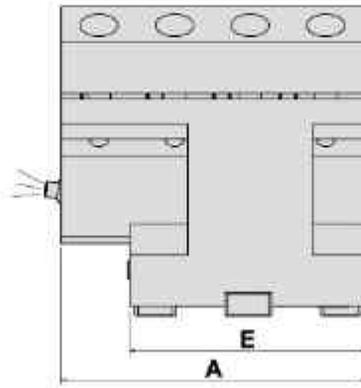
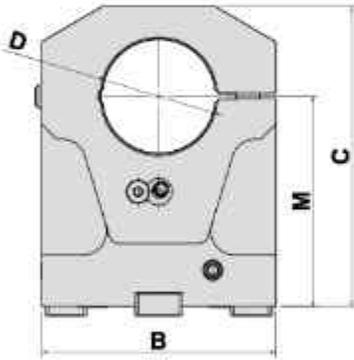
● External coolant supply 外部出水

Models		D	A	B	C	E	M	Code No.	Order No.	(Kg) Weight
BMT75	mm	80	140	136	170	112	110	311003-000	DW350-B80-110-140T	14.9
	inch	-	-	-	-	-	-	-	-	-

BORING BAR HOLDER - SPLIT TYPE

TYPE KOREA SERIES BMT

內孔刀座-槽切型



DIMENSIONS

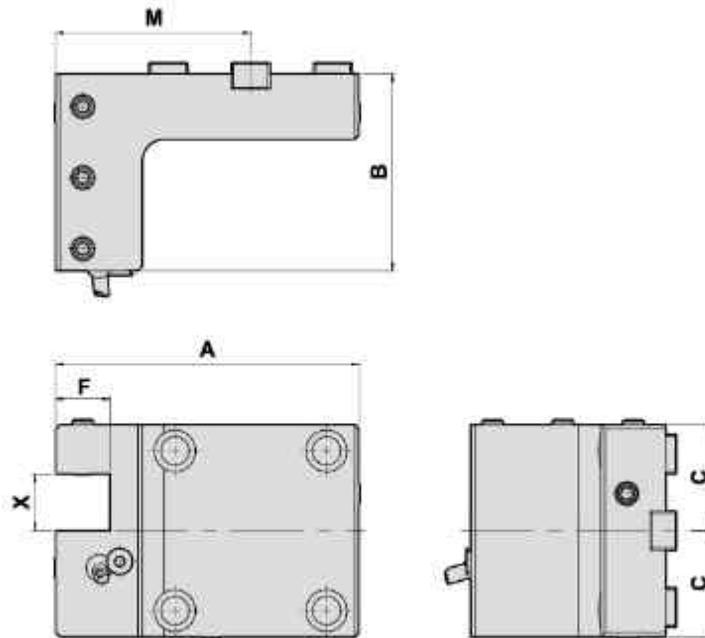
● External coolant supply 外部出水

Models		D	A	B	C	E	M	Code No.	Order No.	(Kg) Weight
BMT85	mm	60	161.5	124	157	125	110	310002-000	DW700-B60-110-161T	16.1
	inch	-	-	-	-	-	-	-	-	-
BMT85	mm	80	161.5	130	170	125	120	311007-000	DW700-B80-120T	16.1
	inch	-	-	-	-	-	-	-	-	-

CUTTING HOLDER

TYPE KOREA SERIES BMT

切斷刀座



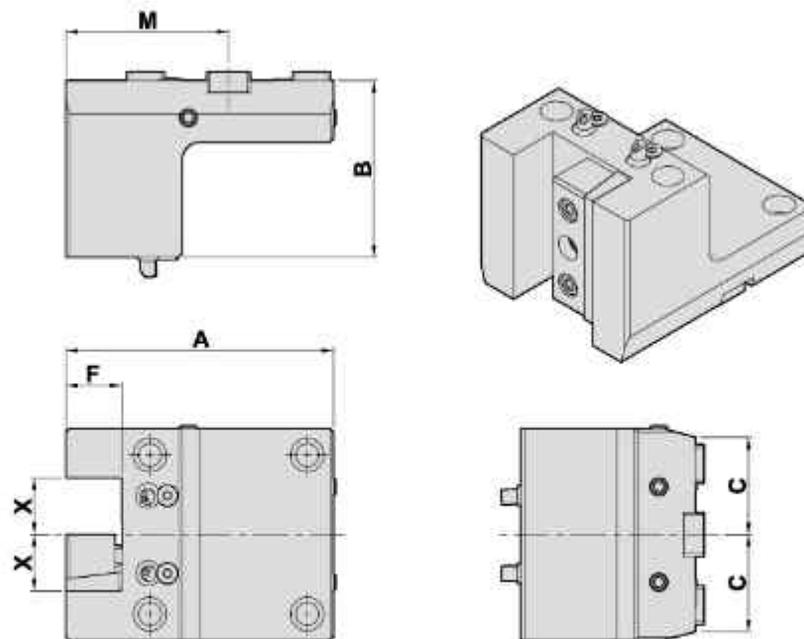
DIMENSIONS

• External coolant supply 外部出水

Models	X	A	B	C	F	M	Code No.	Order No.	(Kg) Weight
BMT45	21	109	70	37.5	19.05	70	7E1001-000	DW220-R19.05-70	1.7
BMT45	22	109	70	37.5	20	70	705001-000	DW220-R20-70	1.7
BMT65	26	140	90	48.5	25	90	706001-000	DW300-R25-90-W110	4.2

CUTTING HOLDER

切斷刀座



DIMENSIONS

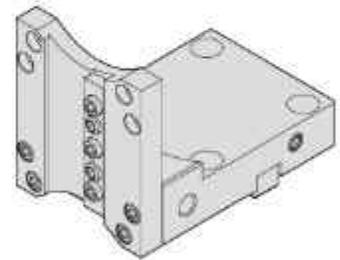
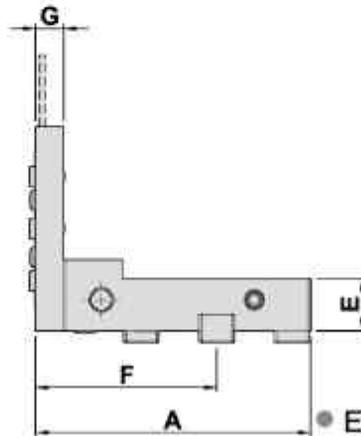
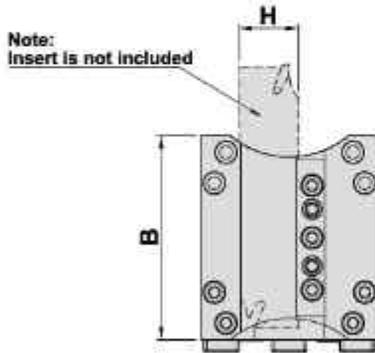
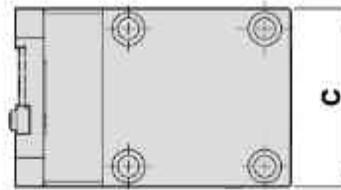
• External coolant supply 外部出水

Models	X	A	B	C	F	M	Code No.	Order No.	(Kg) Weight
BMT75	31.75	153	100	55	31.75	93	7G1001-000	DW350-R31.75-100	7.4
BMT75	32	153	100	55	32	93	707001-000	DW350-R32-100	7.4

CUTTING HOLDER

TYPE KOREA SERIES BMT

切斷刀座

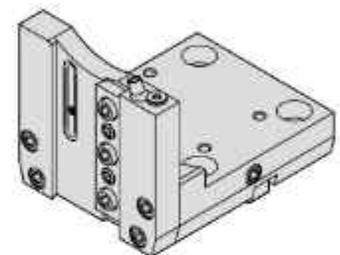
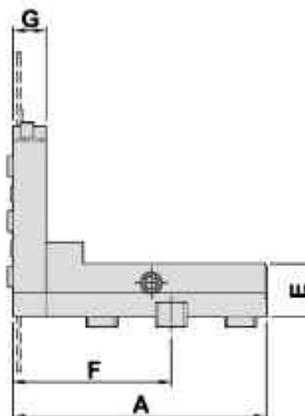
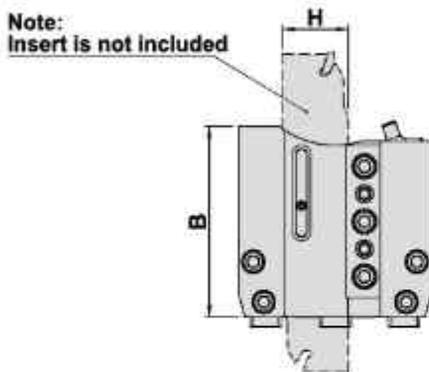
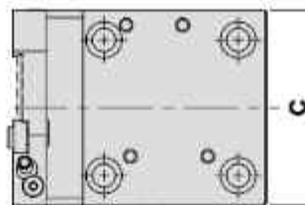


DIMENSIONS

● External coolant supply 外部出水

Models	A	B	C	E	F	G	H	Code No.	Order No.	(Kg) Weight
BMT45	117	86	75	22	77	12	26	705004-000	DW220-R20-82-H	1.8

CUTTING HOLDER 切斷刀座



DIMENSIONS

● External coolant supply 外部出水
● Internal coolant supply 内部出水

Models	A	B	C	E	F	G	H	Code No.	Order No.	(Kg) Weight
BMT45	125	90	75	22	85	16	32	706009-000	DW220-R25-90-H	2.3
BMT55	121	90	86	25	75.5	16	26	705005-000	DW230-R20-90-H-W100	2.6
BMT55	121	90	86	25	75.5	16	32	706006-000	DW230-R25-90-H-W100	2.7
BMT65	134	90	96	25	84	16	32	706007-000	DW300-R25-90-H	2.7